

A2D200-AA02-33 ebmpapst Datasheet

sales@fansco.com

www.fansco.com

Limited partnership · Headquarters Mulfingen

Amtsgericht (court of registration) Stuttgart · HRA 590344

General partner Elektrobau Mulfingen GmbH · Headquarters Mulfingen

Amtsgericht (court of registration) Stuttgart · HRB 590142

Nominal data

Type	A2D200-AA02-33			
Motor	M2D068-CF			
Phase		3~	3~	3~
Nominal voltage	VAC	230	400	400
Wiring		Δ	Y	Y
Frequency	Hz	50	50	60
Method of obtaining data		fa	fa	fa
Valid for approval/standard		CE	CE	CE
Speed (rpm)	min ⁻¹	2800	2800	3150
Power consumption	W	53	53	70
Current draw	A	0.26	0.15	0.14
Max. back pressure	Pa	200	200	300
Max. back pressure	inH ₂ O	0.8	0.8	1.2
Min. ambient temperature	°C	-25	-25	-25
Max. ambient temperature	°C	75	75	75
Starting current	A	0.81	0.47	0.45

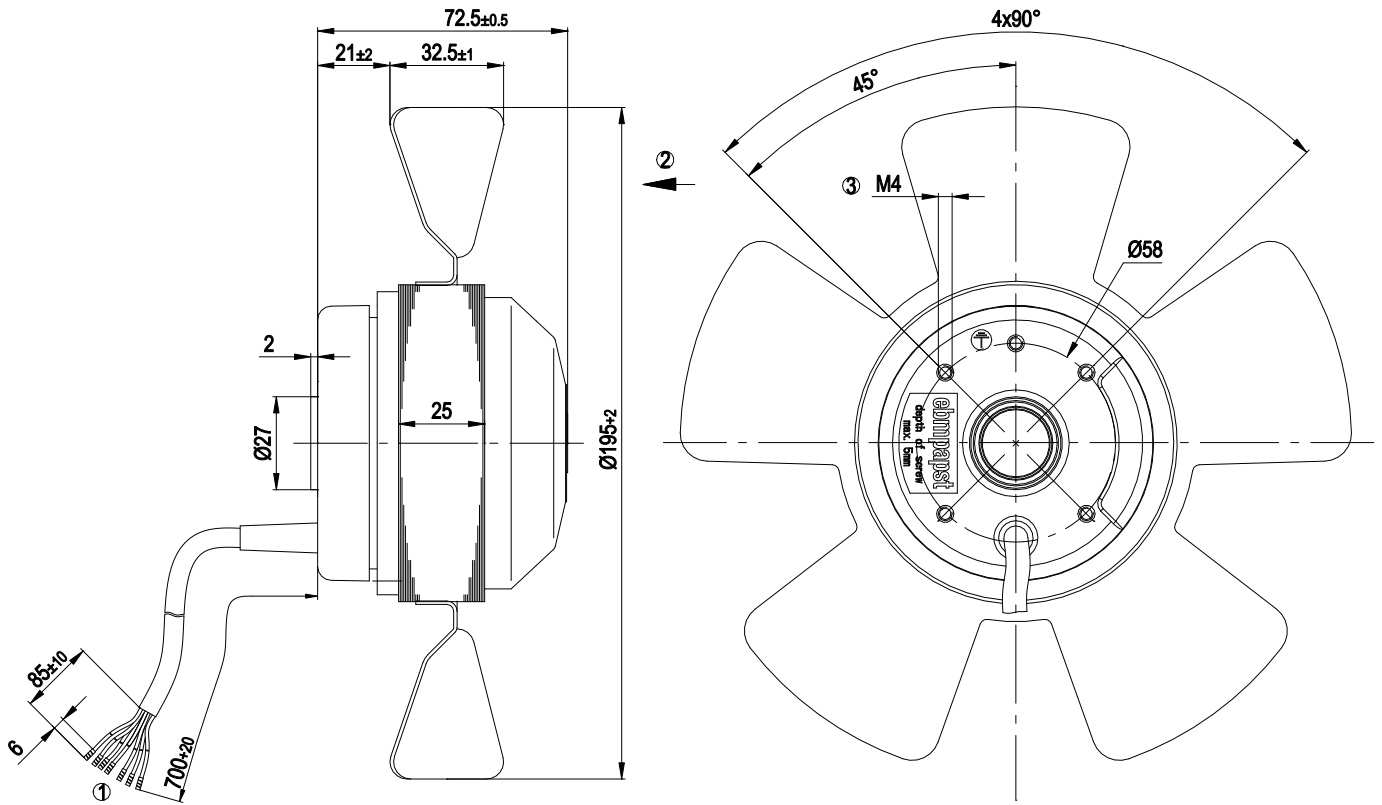
ml = Max. load · me = Max. efficiency · fa = Free air · cs = Customer specification · ce = Customer equipment
Subject to change



Technical description

Weight	1.6 kg
Fan size	200 mm
Rotor surface	Painted black
Impeller material	Sheet steel, hot-dip galvanized
Number of blades	5
Airflow direction	"V"
Direction of rotation	Counterclockwise, viewed toward rotor
Degree of protection	IP44
Insulation class	"B"
Moisture (F) / Environmental (H) protection class	H0+
Max. permitted ambient temp. for motor (transport/storage)	+ 80 °C
Min. permitted ambient temp. for motor (transport/storage)	- 40 °C
Installation position	Shaft horizontal or rotor on bottom; rotor on top on request
Condensation drainage holes	On rotor side
Mode	S1
Motor bearing	Ball bearing
Touch current according to IEC 60990 (measuring circuit Fig. 4, TN system)	< 0.75 mA
With cable	Lateral
Protection class	I (with customer connection of protective earth)
Conformity with standards	EN 60335-1
Approval	UL 1004-1; CSA C22.2 No. 100

Product drawing

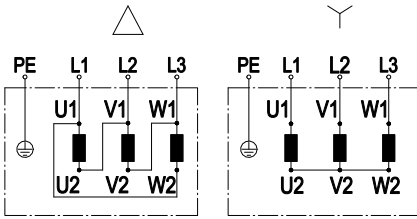


1	Cable AWG 20, 7x crimped splices
2	Direction of air flow "V"
3	Max. clearance for screw 5 mm

AC axial fan

straight blades (A series), single-intake

Connection diagram

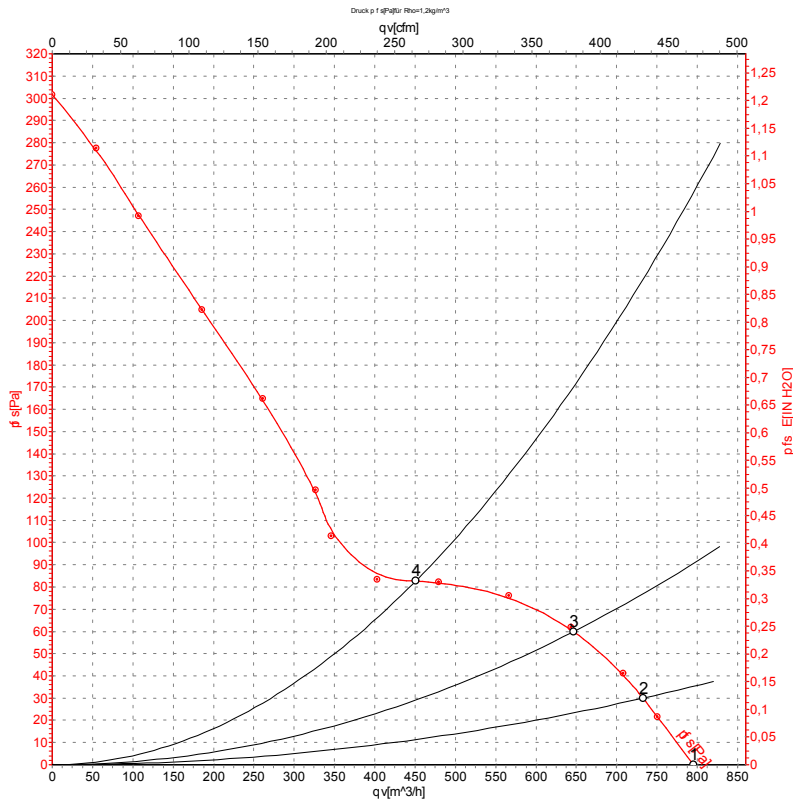


Change of rotation direction by reversing two phases

	Three-phase motor	Δ	Delta connection	Y	Star connection
L1	= U1 = black	L2	= V1 = blue	L3	= W1 = brown
U2	green	V2	white	W2	yellow
PE	green/yellow				



Curves: Air performance 50 Hz



Measurement: LU-58516-1

Air performance measured according to ISO 5801 installation category A. For detailed information on the measurement setup, contact ebm-papst. Intake sound level: Sound power level according to ISO 13347 / sound pressure level measured at 1 m distance from fan axis. The values given are valid under the specified measuring conditions and may vary due to conditions of installation. For deviations from the standard configuration, the parameters have to be checked on the installed unit.

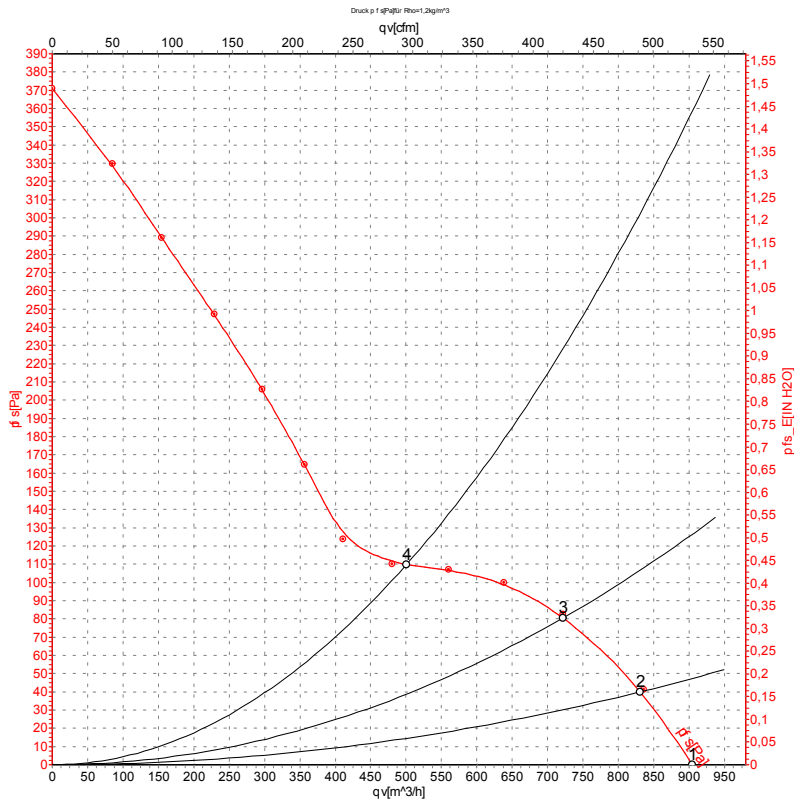
Measured values

	U	f	n	P _e	I	qv	p _{fs}	qv	p _{fs}
	V	Hz	min ⁻¹	W	A	m ³ /h	Pa	CFM	inH2O
1	400	50	2800	53	0.15	800	0	470	0.00
2	400	50	2800	54	0.15	735	30	430	0.12
3	400	50	2800	56	0.15	645	60	380	0.24
4	400	50	2800	52	0.15	450	83	265	0.33

U = Power supply · f = Frequency · n = Speed (rpm) · P_e = Power consumption · I = Current draw · qv = Air flow · p_{fs} = Pressure increase



Curves: Air performance 60 Hz



Measurement: LU-58517-1

Air performance measured according to ISO 5801 installation category A. For detailed information on the measurement setup, contact ebmpapst. Intake sound level: Sound power level according to ISO 13347 / sound pressure level measured at 1 m distance from fan axis. The values given are valid under the specified measuring conditions and may vary due to conditions of installation. For deviations from the standard configuration, the parameters have to be checked on the installed unit.

Measured values

	U	f	n	P _e	I	qv	p _{fs}	qv	p _{fs}
	V	Hz	min ⁻¹	W	A	m ³ /h	Pa	CFM	inH ₂ O
1	400	60	3150	70	0.14	910	0	535	0.00
2	400	60	3150	71	0.14	830	40	490	0.16
3	400	60	3150	74	0.14	720	80	425	0.32
4	400	60	3150	69	0.13	500	110	295	0.44

U = Power supply · f = Frequency · n = Speed (rpm) · P_e = Power consumption · I = Current draw · qv = Air flow · p_{fs} = Pressure increase

