

8322000010
VMA0500H5RMS

AC axial fan - HyBlade

sickle-shaped blades (S series)
with guard grille for short nozzle

ebm-papst Ventilator (Xi'an) Co.,Ltd.
No.2555, No.5 Weishui Road, Weibei Industry Park, Lintong
District, Xi'an, China, 710605
8322000010 ebmpapst Datasheet
sales@fansco.com
www.fansco.com

Nominal data

Type	8322000010						
Motor	M4D110-GF						
Phase		3~	3~	3~	3~	3~	3~
Nominal voltage	VAC	230	230	277	400	400	480
Wiring		Δ	Δ	Δ	Y	Y	Y
Frequency	Hz	50	60	60	50	60	60
Method of obtaining data		ml	ml	ml	ml	ml	ml
Valid for approval/standard		CE	CE	CE	CE	CE	CE
Speed (rpm)	min ⁻¹	1350	1510	1590	1350	1510	1590
Power consumption	W	690	950	1050	690	950	1050
Current draw	A	2.34	2.77	2.72	1.35	1.6	1.57
Max. back pressure	Pa	155	145	160	155	145	160
Max. back pressure	in. wg	0.62	0.58	0.64	0.62	0.58	0.64
Min. ambient temperature	°C	-40	-40	-40	-40	-40	-40
Max. ambient temperature	°C	65	60	60	65	60	60
Starting current	A	10.6	9.7	12.1	6.1	9.6	7.0

ml = Max. load · me = Max. efficiency · fa = Free air · cs = Customer specification · ce = Customer equipment
Subject to change

Data according to Commission Regulation (EU) 327/2011 (EN 17166)

		Actual	Req. 2015			
01 Overall efficiency η_{ES}	%	35.7	32.4	09 Power consumption P_e	kW	0.63
02 Measurement category		A		09 Air flow q_v	m ³ /h	6045
03 Efficiency category		Static		09 Pressure increase p_{fs}	Pa	136
04 Efficiency grade N		43.3	40	10 Speed (rpm) n	min ⁻¹	1370
05 Variable speed drive		No		11 Specific ratio*		1.00

Data obtained at optimum efficiency level.
The ErP data is determined using a motor-impeller combination in a standardized measurement setup.

* Specific ratio = $1 + p_{fs} / 100\,000\text{ Pa}$

LU-200860

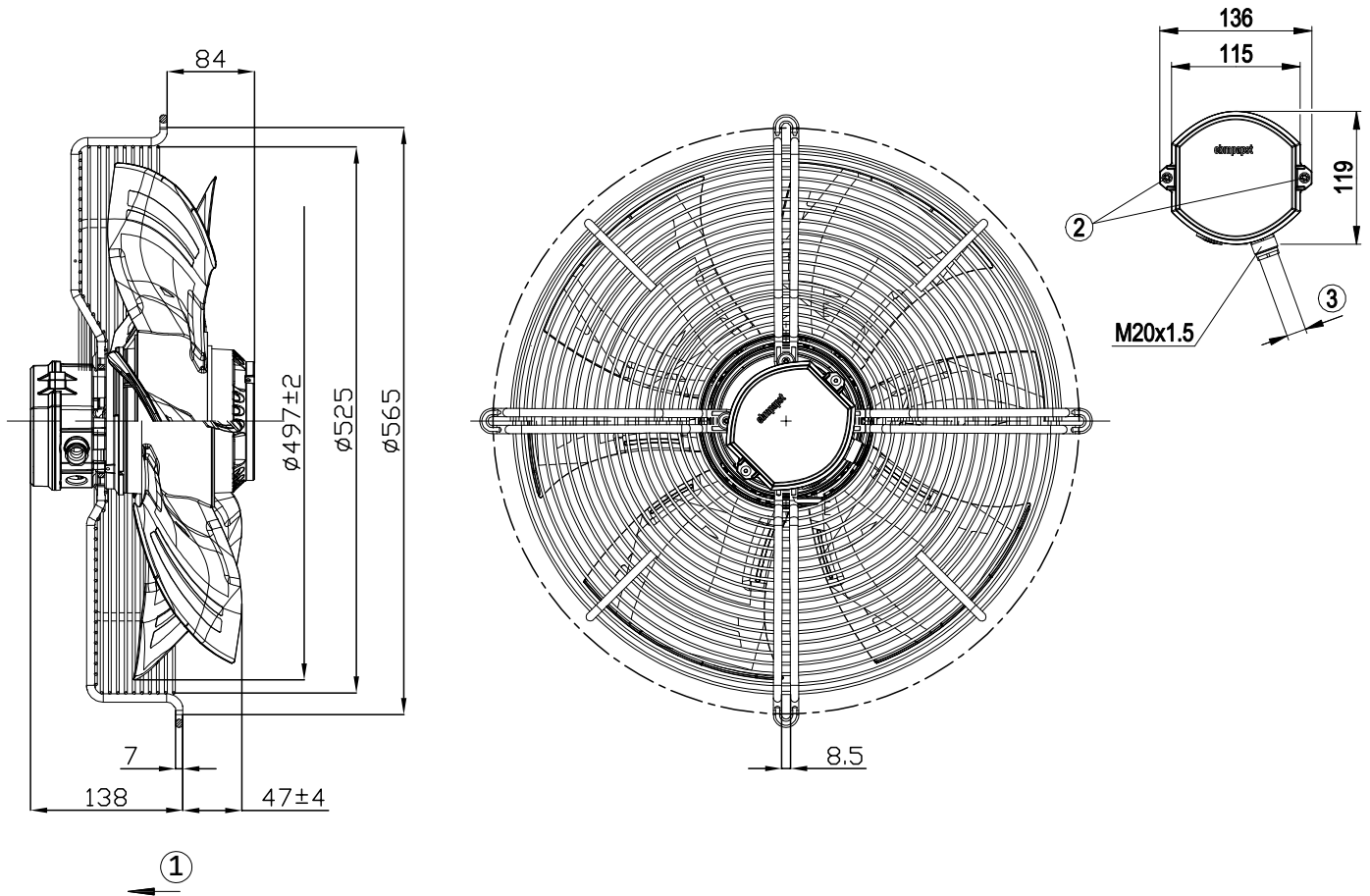


832200010
VMA0500H5RMS

AC axial fan - HyBlade

sickle-shaped blades (S series)
with guard grille for short nozzle

Product drawing



1	Airflow direction "V"
2	Tightening torque 2.5 ± 0.4 Nm
3	Cable diameter min. 10 mm, max. 12 mm, tightening torque 4 ± 0.6 Nm

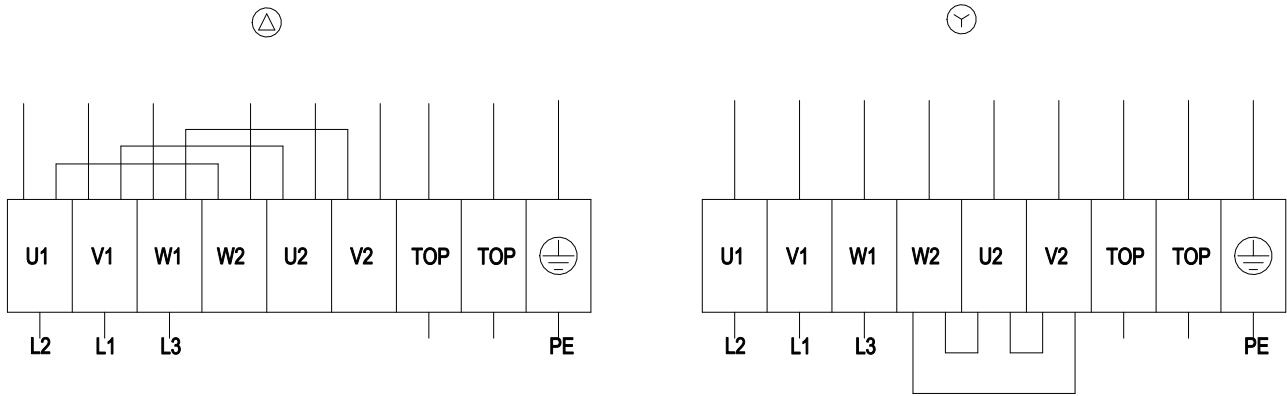


8322000010
VMA0500H5RMS

AC axial fan - HyBlade

sickle-shaped blades (S series)
 with guard grille for short nozzle

Connection diagram



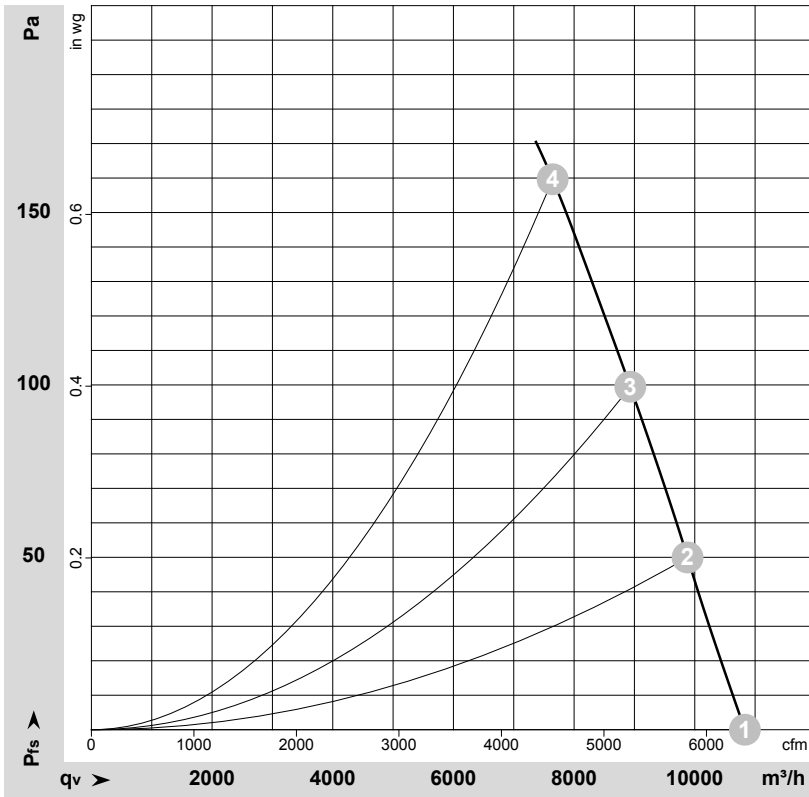
Δ	Delta connection	Y	Star connection	L1	= V1 = blue
L2	= U1 = black	L3	= W1 = brown	W2	yellow
U2	green	V2	white	TOP	2x gray
PE	green/yellow				



AC axial fan - HyBlade

sickle-shaped blades (S series)
with guard grille for short nozzle

Curves: Air performance 60 Hz



$\rho = 1.15 \text{ kg/m}^3 \pm 2 \%$

Measurement: LU-110667-1

Air performance measured according to ISO 5801 installation category A. For detailed information on the measurement setup, contact ebm-papst. Intake sound level: Sound power level according to ISO 13347 / sound pressure level measured at 1 m distance from fan axis. The values given are valid under the specified measuring conditions and may vary due to conditions of installation. For deviations from the standard configuration, the parameters have to be checked on the installed unit.

Measured values

	Wired	U	f	n	P _e	I	LpA _{in}	LwA _{in}	LwA _{out}	q _v	P _{fs}	q _v	P _{fs}
		V	Hz	min ⁻¹	W	A	dB(A)	dB(A)	dB(A)	m ³ /h	Pa	cfm	in. wg
1	Y	480	60	1650	817	1.33	71	78	79	10830	0	6375	0.00
2	Y	480	60	1630	895	1.41	69	76	77	9880	50	5815	0.20
3	Y	480	60	1615	966	1.48	68	75	75	8930	100	5255	0.40
4	Y	480	60	1590	1050	1.57	67	74	75	7645	160	4500	0.64

Wired = Wiring · U = Voltage · f = Frequency · n = Speed (rpm) · P_e = Power consumption · I = Current draw · LpA_{in} = Sound pressure level intake side · LwA_{in} = Sound power level intake side
LwA_{out} = Sound power level outlet side · q_v = Air flow · P_{fs} = Pressure increase

