

Nominal data

Part number	8317082290	
Type	VBS0630STTPS	
Phase		3~
Nominal voltage	VAC	400
Nominal voltage range	VAC	380 .. 480
Frequency	Hz	50/60
Method of obtaining data		ml
Speed (rpm)	min ⁻¹	1420
Power consumption	W	3700
Current draw	A	5.7
Min. ambient temperature	°C	-40
Max. ambient temperature	°C	45

ml = Max. load · me = Max. efficiency · fa = Free air · cs = Customer specification · ce = Customer equipment
Subject to change

Occasional start-up at temperatures between -40 °C and -25 °C is permitted. For continuous operation at ambient temperatures below -25 °C (such as refrigeration applications), a fan design with special low-temperature bearings must be used.

Data according to Commission Regulation (EU) 327/2011 (EN 17166)

		Actual	Req. 2015			
01 Overall efficiency η_{es}	%	71.4	57.4	09 Power consumption P_{ed}	kW	3.66
02 Measurement category		A		09 Air flow q_v	m ³ /h	12685
03 Efficiency category		Static		09 Pressure increase p_{fs}	Pa	711
04 Efficiency grade N		76	62	10 Speed (rpm) n	min ⁻¹	1420
05 Variable speed drive		Yes		11 Specific ratio*		1.01

Data obtained at optimum efficiency level.

* Specific ratio = $1 + p_g / 100\,000\text{ Pa}$

LU-194121

The efficiency values displayed for achieving conformity with the Ecodesign Regulation EU 327/2011 has been reached with defined air duct components (e.g. inlet rings). The dimensions must be requested from ebm-papst. If other air conduction geometries are used on the installation side, the ebm-papst evaluation loses its validity/the conformity must be confirmed again. The product does not fall within the scope of Regulation (EU) 2019/1781 due to the exception specified in Article 2 (2a) (motors completely integrated into a product).

Technical description

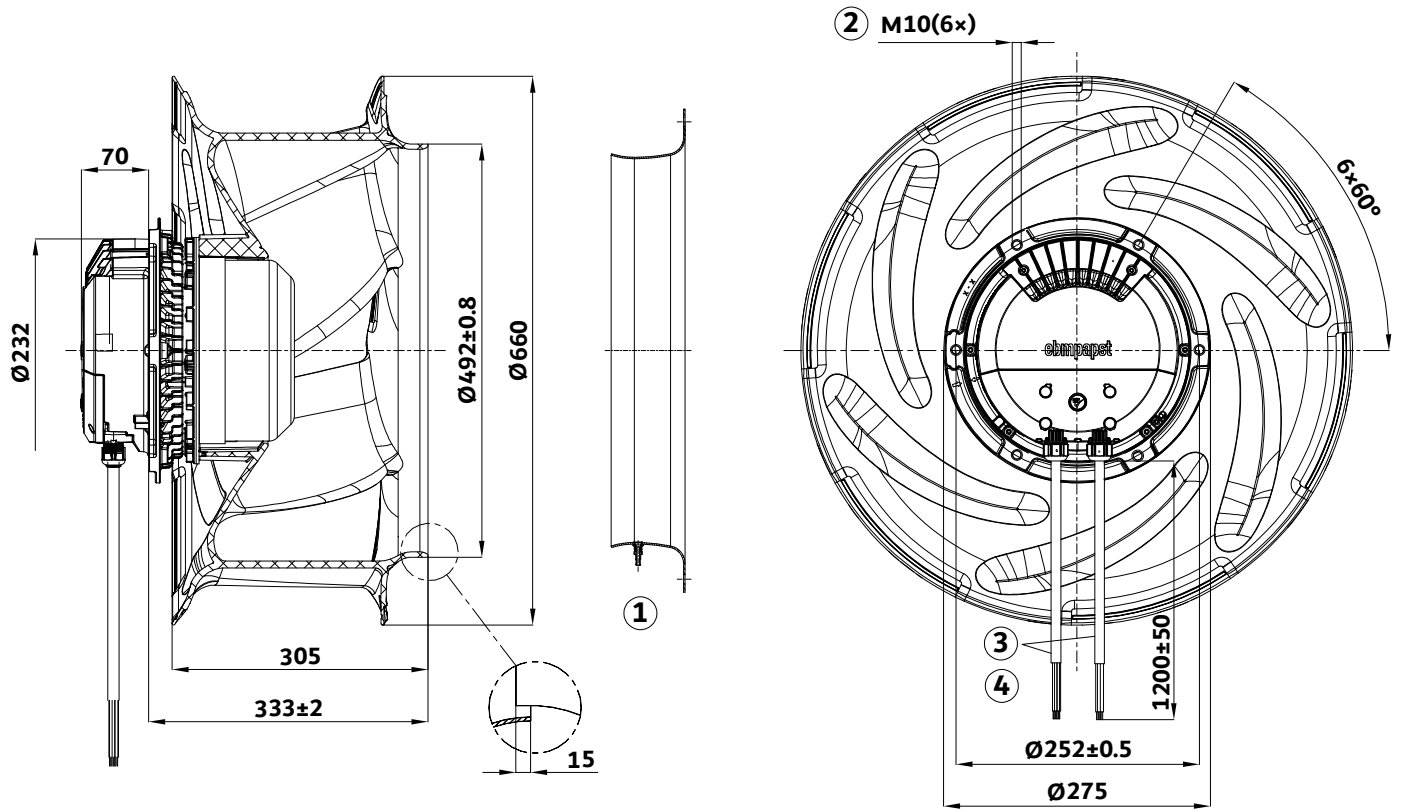
Weight	29.6 kg
Size	630 mm
Motor size	150
Rotor surface	Painted black
Electronics housing material	Die-cast aluminum
Impeller material	PP plastic
Number of blades	6
Direction of rotation	Clockwise, viewed toward rotor
Degree of protection	IP55
Insulation class	"F"
Moisture (F) / Environmental (H) protection class	H1
Ambient temperature note	Occasional start-up at temperatures between -40°C and -25°C is permitted. For continuous operation at ambient temperatures below -25°C (such as refrigeration applications), use must be made of a fan design with special low-temperature bearings.
Max. permitted ambient temp. for motor (transport/storage)	+80 °C
Min. permitted ambient temp. for motor (transport/storage)	-40 °C
Installation position	Shaft horizontal or rotor on bottom; rotor on top on request
Condensation drainage holes	On rotor side
Mode	S1
Motor bearing	Ball bearing
Technical features	<ul style="list-style-type: none"> - External 15-50 VDC input (parameterization) - Alarm relay - Integrated PI controller - Configurable inputs/outputs (I/O) - MODBUS V6.3 - Motor current limitation - RS-485 MODBUS-RTU - Soft start - Voltage output 10VDC+/-3%, I_{max}=10mA - Control interface with SELV potential safely disconnected from the mains - Thermal overload protection for electronics/motor - Line undervoltage / phase failure detection
EMC immunity to interference	According to EN 61000-6-2 (industrial environment)
EMC interference emission	According to EN 61000-6-3 (household environment), except EN 61000-3-2 for professionally used equipment with a total rated power greater than 1 kW
Touch current according to IEC 60990 (measuring circuit Fig. 4, TN system)	<= 3.5 mA
Electrical hookup	Cable w/o connector
Protection class	I (with customer connection of protective earth)
Conformity with standards	EN 61800-5-1; CE

8317082290
VBS0630STTPS

EC centrifugal fan - RadiCal

backward-curved, single-intake

Product drawing



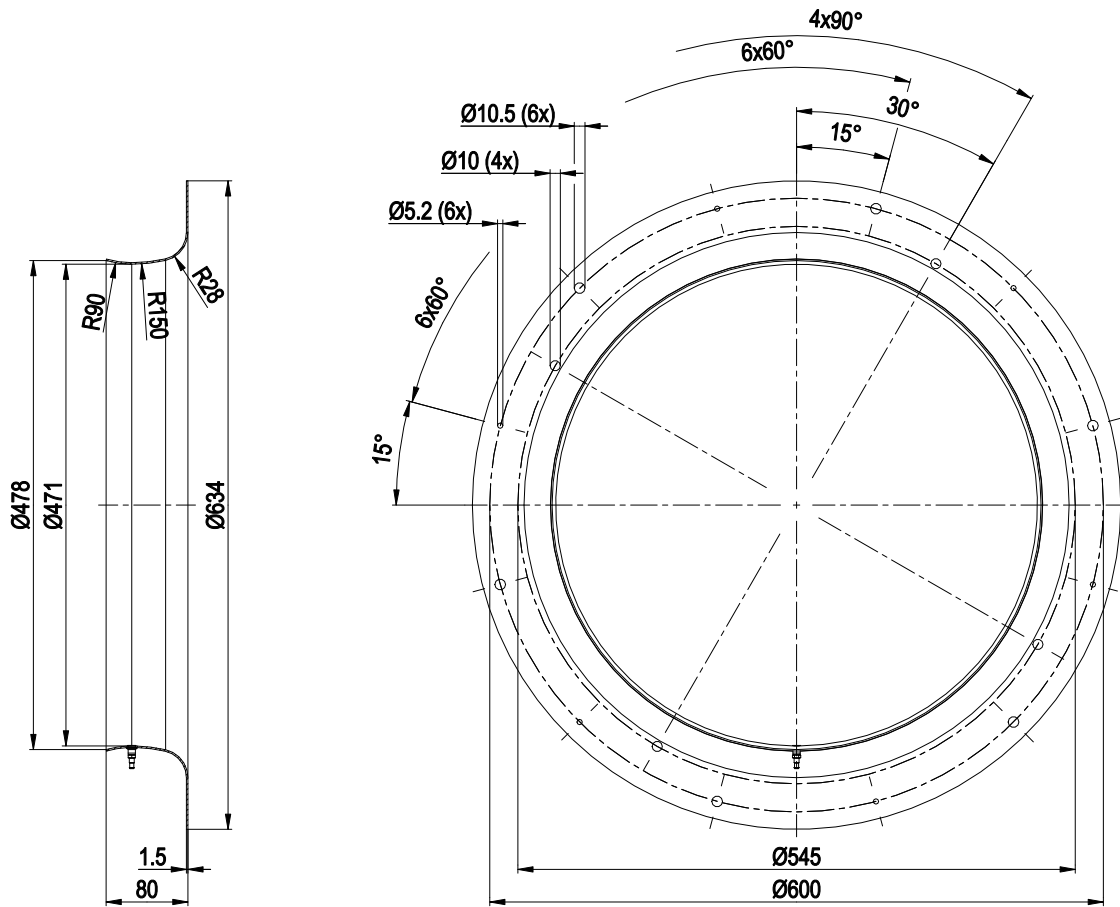
- | | |
|---|---|
| 1 | Accessory part: Inlet ring 63355-2-4013 with pressure tap (k-factor545) not included in scope of delivery |
| 2 | Max. clearance for screw 20 mm |
| 3 | Cable length and customer connector (both power and signal) can be adjusted according to customer request |
| 4 | Cable wire diameter: power: AWG 15(4x); signal: AWG 22(8x) |



EC centrifugal fan - RadiCal

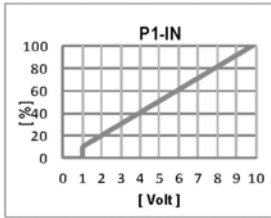
backward-curved, single-intake

Accessory part



Inlet ring 63355-2-4013 with pressure tap (k-factor 545)

Connection diagram



Wire color	Designation	Function/assignment
black	L1	Power supply, phase, see nameplate for voltage range
black	L2	Power supply, phase, see nameplate for voltage range
black	L3	Power supply, phase, see nameplate for voltage range
green/yellow	PE	Protective earth
grey	RSA	RS485 interface for MODBUS, RSA; SELV
brown	RSB	RS485 interface for MODBUS, RSB; SELV
blue	GND	Reference ground for control interface, SELV
white	IO1	Function parameterizable (see "Optional interface functions" table) Factory setting: Digital input - high active, function: Disable input, SELV - inactive: Pin open or applied voltage < 1.5 VDC - active: applied voltage 3.5-50 VDC Reset function: Triggering of error reset on change of state from "enabled" to "disabled"
yellow	IO2	Function parameterizable (see "Optional interface functions" table) Factory setting: Analog input 0-10 V / PWM, Ri=100 kΩ, function: Set value Characteristic curve parameterizable (see input characteristic curve P1-IN), SELV
red	Vout	Voltage output 10VDC+/-3%, I _{max} =10mA supply for external devices, SELV alternatively: 15-50 VDC input for parameterization via MODBUS without line voltage
orange (1)	COM	Status relay, floating status contact, common connection, contact rating 250 VAC / 2 A (AC1) / min. 10mA, reinforced insulation on supply side and on control interface side
orange (2)	NC	Status relay, floating status contact, break for failure
	P1-IN	Input characteristic curve

Terminal/plug assignment

Control software, Fan-Set-App, or MODBUS parameter specification V6.3
for details and additional functions, see EC

Terminal	Function	Electrical specification	MODBUS Register for IO mode configuration	Configurable IO functions: normal / Inverse
D101 [...] / D147 [...]	source: set value			source: set value
D104 [...]	switch: parameter set: #1 / #2			switch: parameter set: #1 / #2
D12E [...]	switch: control function: heating (pos.) / cooling (neg.)			switch: direction of rotation: cw / ccw
D148 [...]	switch: set value source			switch: set value source
D16A [...]	switch: fan enable / disable			switch: fan enable / disable
D130 [0]	signal: fan modulation level %			signal: fan modulation level %
D130 [1]	signal: actual speed			signal: actual speed
D130 [2]	signal: system modulation level %			signal: system modulation level %
D130 [5]	signal: remote control output 0-10V			signal: remote control output 0-10V
D00C [1]	pulse input for auto-addressing			pulse input for auto-addressing
D130 [4]	pulse output for auto-addressing			pulse output for auto-addressing

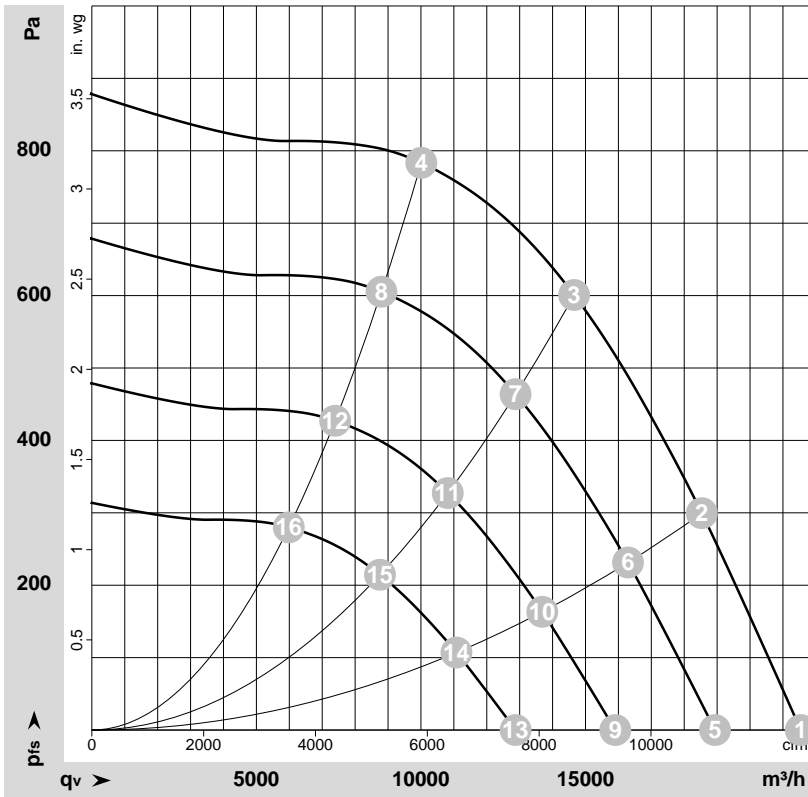
Terminal	Function	Electrical specification	MODBUS Register for IO mode configuration
IO1	configurable IO mode <ul style="list-style-type: none"> Dim1 (active high): digital input Ain1 0-10V/PWM: analog input Tach out (open collector output) Diagnostics out (open collector output) 	active: applied voltage 3.5-50VDC, SELV not active: pin open or applied voltage < 1.5VDC RI=100K, characteristic curve parameterizable, f_PWM=1k...10KHz, SELV	D168 [0] D168 [2]
IO2	configurable IO mode <ul style="list-style-type: none"> Dim2 (active high): digital input Ain2 0-10V/PWM: analog input 	Um _{ax} =50VDC, I _{max} =20mA, SELV Um _{ax} =50VDC, I _{max} =20mA, SELV active: applied voltage 3.5-50VDC, SELV not active: pin open or applied voltage < 1.5VDC RI=100K, characteristic curve parameterizable, f_PWM=1k...10KHz, SELV	D158 [5] D158 [6] D159 [0] D159 [2]
RSA RSB	RS485 bus connection,	MODBUS RTU, specification V6.3, SELV	
Vout	voltage output alternatively: Input auxiliary power supply for parameterization via RS485/MODBUS RTU without line voltage	Fixed voltage output 10VDC ±r.3%, I _{max} =10mA, short-circuit-proof, supply for external devices, SELV 15...50VDC	D16E [...]

o configurable option
(o) function, activation via IO mode

customer connection side



Curves: Air performance 50 Hz



$\rho = 1.15 \text{ kg/m}^3 \pm 2 \%$

Measurement: LU-194121-1

Air performance measured according to ISO 5801 installation category A. For detailed information on the measurement setup, contact ebmpapst. Intake sound level: Sound power level according to ISO 13347 / sound pressure level measured at 1 m distance from fan axis. The values given are valid under the specified measuring conditions and may vary due to conditions of installation. For deviations from the standard configuration, the parameters have to be checked on the installed unit.

Measured values

	Wired	U	f	n	P _{ed}	I	LpA _{in}	LwA _{in}	LwA _{out}	q _v	p _{fs}	q _v	p _{fs}
		V	Hz	min ⁻¹	W	A	dB(A)	dB(A)	dB(A)	m ³ /h	Pa	cfm	in. wg
1	3~	400	50	1420	2234	3.47	81	89	92	21540	0	12680	0.00
2	3~	400	50	1420	3118	4.78	80	86	89	18535	300	10910	1.20
3	3~	400	50	1420	3700	5.70	73	81	85	14655	600	8625	2.41
4	3~	400	50	1420	3520	5.38	73	81	85	10010	780	5890	3.13
5	3~	400	50	1250	1517	2.36	78	86	89	18935	0	11145	0.00
6	3~	400	50	1250	2118	3.25	77	83	85	16295	232	9590	0.93
7	3~	400	50	1250	2514	3.84	70	78	82	12875	465	7580	1.87
8	3~	400	50	1250	2391	3.65	70	78	82	8800	609	5180	2.44
9	3~	400	50	1050	899	1.40	74	82	84	15905	0	9365	0.00
10	3~	400	50	1050	1255	1.92	73	78	81	13685	164	8055	0.66
11	3~	400	50	1050	1490	2.27	65	73	77	10815	328	6365	1.32
12	3~	400	50	1050	1417	2.16	65	73	77	7390	430	4350	1.73
13	3~	400	50	850	477	0.74	68	76	79	12875	0	7580	0.00
14	3~	400	50	850	666	1.02	67	73	76	11080	107	6520	0.43
15	3~	400	50	850	791	1.21	60	68	72	8755	215	5155	0.86
16	3~	400	50	850	752	1.15	60	68	72	5985	282	3520	1.13

Wired = Wiring · U = Voltage · f = Frequency · n = Speed (rpm) · P_{ed} = Power consumption · I = Current draw · LpA_{in} = Sound pressure level intake side · LwA_{in} = Sound power level intake side
LwA_{out} = Sound power level outlet side · q_v = Air flow · p_{fs} = Pressure increase