

**Product Data Sheet**

**9292910106**  
VWC0080PUFBS  
8314 NHL

**ebmpapst**

The engineer's choice

8314NHL (9292910106) ebmpapst Datasheet  
[sales@fansco.com](mailto:sales@fansco.com)  
[www.fansco.com](http://www.fansco.com)



8314 NHL

INDEX

**1 General ..... 3**

**2 Mechanics ..... 3**

2.1 General..... 3

2.2 Connections..... 3

**3 Operating Data ..... 5**

3.1 Electrical Operating Data ..... 5

3.2 Electrical Features ..... 6

3.3 Aerodynamics ..... 7

3.4 Sound Data..... 8

**4 Environment..... 8**

4.1 General..... 8

4.2 Climatic Requirements ..... 8

**5 Safety..... 9**

5.1 Electrical Safety ..... 9

5.2 Approval Tests ..... 9

**6 Reliability..... 9**

6.1 General..... 9

**1 General**

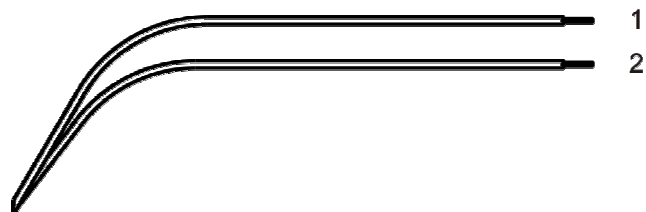
Fan type	Fan	
Rotating direction looking at rotor	Counterclockwise	
Airflow direction	Air outlet over struts	
Bearing system	Ball bearing	
Mounting position - shaft	Any	

**2 Mechanics****2.1 General**

Width	80,0 mm	
Height	80,0 mm	
Depth	32 mm	
Mass	0,1 kg	
Housing material	Plastic	
Impeller material	Plastic	
Max. torque when mounted across both mounting flanges	Wire outlet corner: 100 Ncm Remaining corners: 100 Ncm	
Screw size	ISO 4762 - M4 degreased, without an additional brace and without washer	

**2.2 Connections**

Electrical connection	Wires	
Lead wire length	L = 310 mm	
Tolerance	+ - 10,0 mm	



Wire	Color	Operation	Wire size	Insulation diameter
1	red	+ UB	AWG 26	1,35 mm
2	blue	- GND	AWG 26	1,35 mm

### 3 Operating Data

#### 3.1 Electrical Operating Data

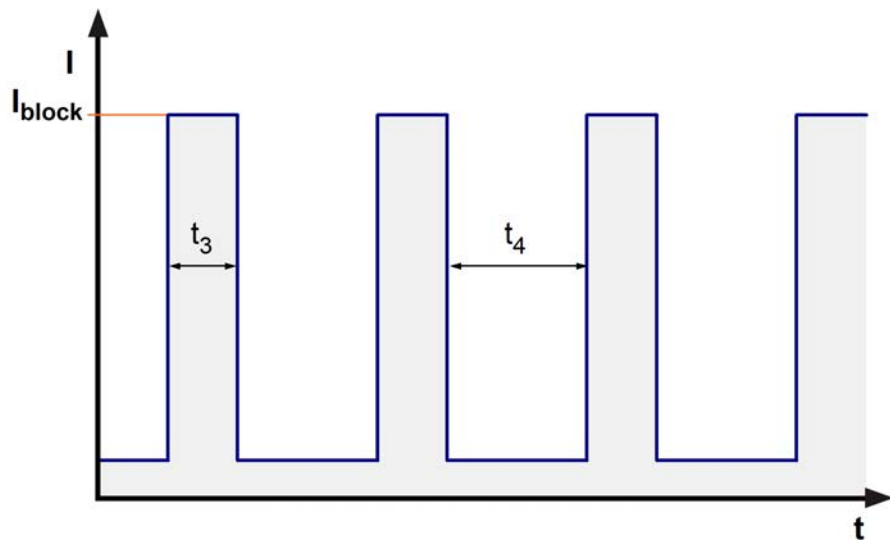
Measurement conditions: Normal air density = 1,2 kg/m<sup>3</sup>; Temperature 23°C +/- 3°C; Motor axis horizontal; warm-up time before measuring 5 minutes (unless otherwise specified). In the intake and outlet area should not be any solid obstruction within 0,5 m.

$\Delta p = 0$ : corresp. to free air flow (see chapter aerodynamics)  
I: corresp. to arithm. mean current value

Features	Condition	Symbol	Values		
Voltage range		U	12 V		28 V
Nominal voltage		U <sub>N</sub>		24 V	
Power consumption	$\Delta p = 0$	P	0,72 W	2,6 W	3,5 W
Tolerance	0010		+/- 17,5 %	+/- 12,5 %	+/- 15 %
Current consumption	$\Delta p = 0$	I	60 mA	110 mA	125 mA
Tolerance	0010		+/- 17,5 %	+/- 12,5 %	+/- 15 %
Speed	$\Delta p = 0$	n	2.250 1/min	4.600 1/min	5.270 1/min
Tolerance	0010		+/- 12,5 %	+/- 7,5 %	+/- 10 %
Starting current consumption				700 mA	

3.2 Electrical Features

Electronic function	None	
Reversed polarity protection	Rectifying diode	
Max. residual current at $U_N$	$I_F \leq 500 \mu A$	
Locked rotor protection	Auto restart	
Locked rotor current at $U_N$	$I_{block}$ approx. 700 mA	
Clock signal at locked rotor	$t_3 / t_4$ typical: 0,16 s / 11,8 s	

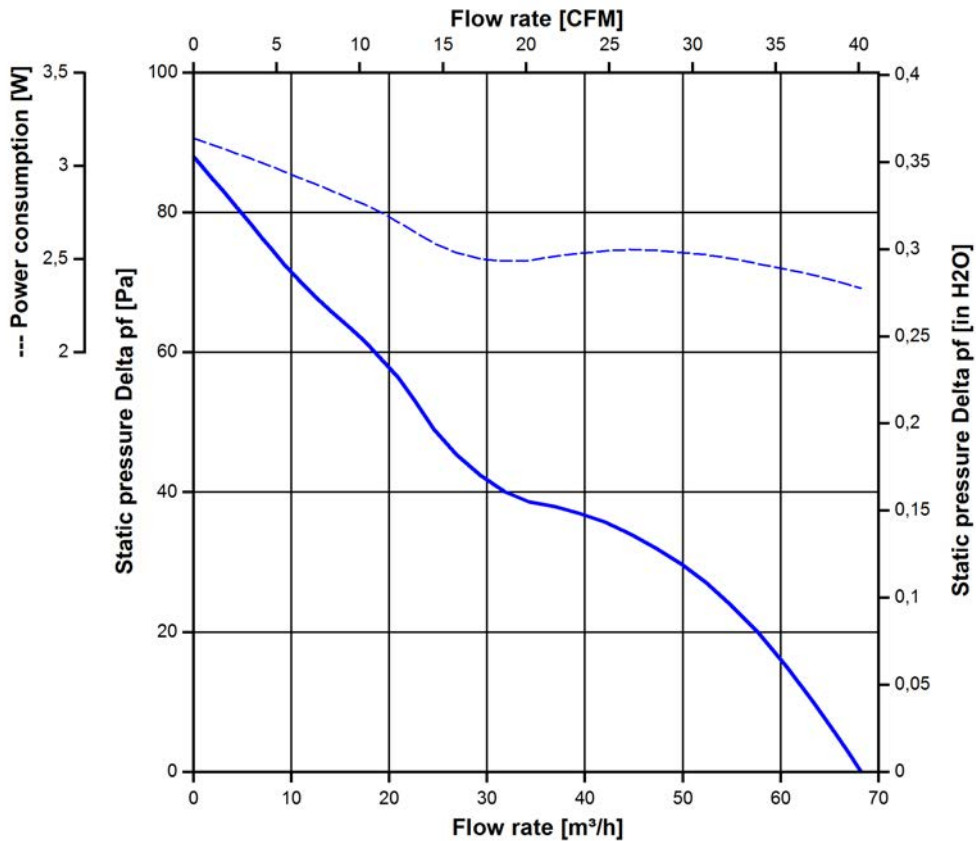


### 3.3 Aerodynamics

Measurement conditions: Measured with a double chamber intake rig acc. to DIN EN ISO 5801. Normal air density = 1,2 kg/m<sup>3</sup>; Temperature 23°C +/- 3°C; In the intake and outlet area should not be any solid obstruction within 0,5 m. Motor shaft horizontal. The information is only valid under the specified test conditions and may be changed by the installation conditions. If there are deviations from the standard test conditions, the characteristic values must be checked under the installed conditions. Power consumption of the fan motor when operating at normal voltage is shown. Depending on the operating conditions of the application, the power input may be higher.

a.) Operation condition:

4.600 1/min at free air flow		
Max. free-air flow ( $\Delta p = 0 / \dot{V} = \text{max.}$ )	68 m <sup>3</sup> /h	
Max. static pressure ( $\Delta p = \text{max.} / \dot{V} = 0$ )	88 Pa	



### 3.4 Sound Data

Measurement conditions: Sound pressure level: 1 meter distance between microphone and the air intake.  
Sound power level: According to DIN 45635 Part 38 (ISO 10302)  
Measured in a semianchoic chamber with a background noise level of  $L_p(A) < 5 \text{ dB(A)}$   
For further measurement conditions see chapter aerodynamics.

a.) Operation condition:

4.600 1/min at free air flow

Optimal operating point	42 m <sup>3</sup> /h @ 35 Pa	
Sound power level at the optimal operating point	4,9 bel(A)	
Sound pressure level at free air flow, measured in rubber bands	38 dB(A)	

## 4 Environment

### 4.1 General

Min. permitted ambient temperature TU min.	-20 °C	
Max. permitted ambient temperature TU max.	75 °C	
Min. permitted storage temperature TL min.	-40 °C	
Max. permitted storage temperature TL max.	80 °C	

### 4.2 Climatic Requirements

Humidity requirements	humid heat, constant; according to DIN EN 60068-2-78, 14 days	
Water exposure	None	
Dust requirements	None	
Salt fog requirements	None	

Permitted application area:

The product is intended for use in sheltered rooms with controlled temperature and controlled humidity. Directly exposure to water must be avoided.

Pollution degree 1 (according DIN EN 60664-1)

There is either no pollution or it occurs only dry, non-conductive pollution. The pollution has no negative impact.

Please require severity levels and specification parameters from the responsible development departments.

## 5 Safety

### 5.1 Electrical Safety

Dielectric strength DIN EN 60950 (VDE 0805) and DIN EN 60335 (VDE 0700) A.) Type test Measuring conditions: After 48h of storage at 95% R.H. and 25°C. No arcing or breakdown is allowed! All connections together to ground.	500 VAC / 1 Min.	
B.) Routine test Measuring conditions: At indoor climate. No arcing or breakdown is allowed! All connections together to ground.	850 VDC / 1 Sec.	
Isolation resistance Measuring conditions: After 48h of storage at 95% R.H. and 25°C measured with U=500 VDC for 1 min.	RI > 10 MOhm	
Clearance / creepage distance	1,0 mm / 1,2 mm	
Protection class	III	

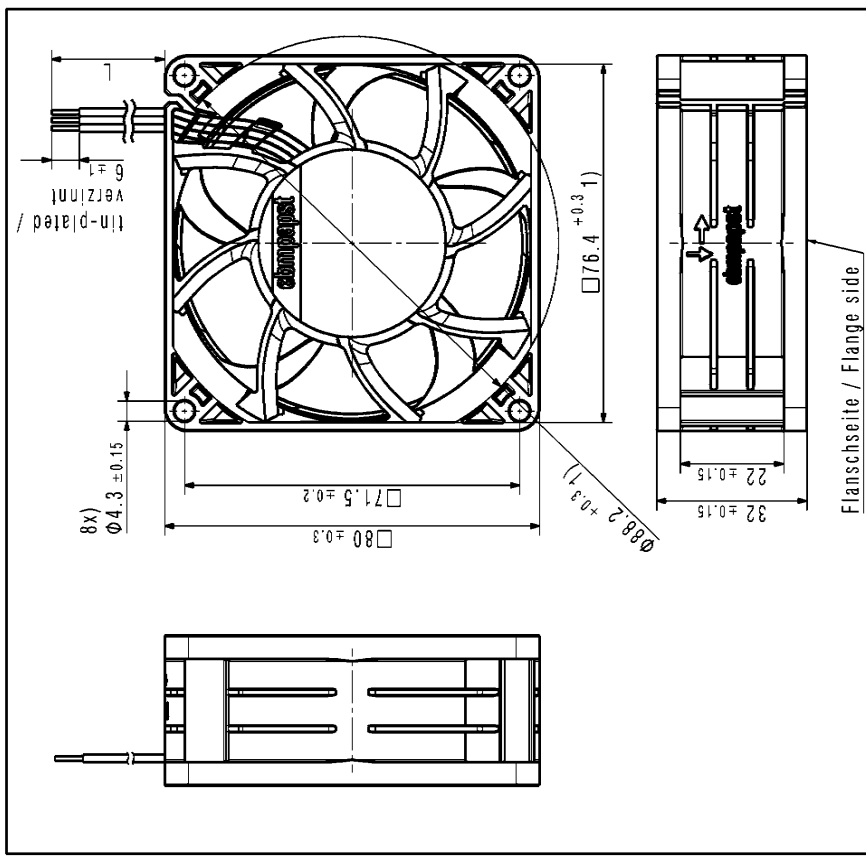
### 5.2 Approval Tests

CE	EC Declaration of Conformity	Yes
EAC	Eurasian Conformity	Yes
UL	Underwriters Laboratories	Yes / UL507, Electric Fans E38324
VDE	Association for Electrical, Electronic and Information Technologies	Yes / Approval acc. to EN 60950 (VDE 0805) - Information technology equipment
CSA	Canadian Standards Association	Yes / C22.2 No. 113 Fans and Ventilators
CCC	China Compulsory Certification	Not applicable

## 6 Reliability

### 6.1 General

Life expectancy L10 at TU = 40 °C	92.500 h	
Life expectancy L10 at TU max.	37.500 h	
Life expectancy L10 acc. to IPC 9591 at TU = 40 °C	155.000 h	



1) Maße für Montagewand / Dimensions for assembly wall  
 - Kein Axialspiel der Kugellager durch Federausgleich /  
 no axial clearance of ball bearings due to a pre-load spring  
 - Anzahl und Länge der Litzen siehe Produktspezifikation Blatt 1  
 Number and length of the wires see design specification sheet 1

Flanschseite / Flange side

Copyright of this document, and getting, is others and the use or reproduction of the contents thereof, are forbidden without express authority. Orders are liable to the granting of damages. All rights are reserved in the event of the grant of a patent or the registration of a utility model or design.  
 Schenckwerk nach DIN ISO 15016 beschriftet | Refer to production order 316 150 100-8 |

Document Status / Document State CAP-Design/ CAD-Entwurf 922910106		CAP-Version/ CAD-Version 922910106		CAP-Design/ CAD-Entwurf 922910106		CAP-Design/ CAD-Entwurf 922910106		CAP-Design/ CAD-Entwurf 922910106		CAP-Design/ CAD-Entwurf 922910106	
3D-Referenzmodell / 3D Reference Model Name Dia 1.0		3D-Referenzmodell / 3D Reference Model Name Dia 1.0		3D-Referenzmodell / 3D Reference Model Name Dia 1.0		3D-Referenzmodell / 3D Reference Model Name Dia 1.0		3D-Referenzmodell / 3D Reference Model Name Dia 1.0		3D-Referenzmodell / 3D Reference Model Name Dia 1.0	
Reviz./ Draw 0 0 0		Reviz./ Draw 0 0 0		Reviz./ Draw 0 0 0		Reviz./ Draw 0 0 0		Reviz./ Draw 0 0 0		Reviz./ Draw 0 0 0	
Zulassung / Approval 0		Zulassung / Approval 0		Zulassung / Approval 0		Zulassung / Approval 0		Zulassung / Approval 0		Zulassung / Approval 0	
Allgemeine Anmerkungen / Gen. Tol. Remarks:		Allgemeine Anmerkungen / Gen. Tol. Remarks:		Allgemeine Anmerkungen / Gen. Tol. Remarks:		Allgemeine Anmerkungen / Gen. Tol. Remarks:		Allgemeine Anmerkungen / Gen. Tol. Remarks:		Allgemeine Anmerkungen / Gen. Tol. Remarks:	
Bezeichnung / Material:		Bezeichnung / Material:		Bezeichnung / Material:		Bezeichnung / Material:		Bezeichnung / Material:		Bezeichnung / Material:	
Volumen / Volume (cm <sup>3</sup> ):		Gewicht / Mass (g):		Volumen / Volume (cm <sup>3</sup> ):		Gewicht / Mass (g):		Volumen / Volume (cm <sup>3</sup> ):		Gewicht / Mass (g):	
Fertigung / Fabrication:		Fertigung / Fabrication:		Fertigung / Fabrication:		Fertigung / Fabrication:		Fertigung / Fabrication:		Fertigung / Fabrication:	
Zeich.-Nr. / Drawing No.:		Zeich.-Nr. / Drawing No.:		Zeich.-Nr. / Drawing No.:		Zeich.-Nr. / Drawing No.:		Zeich.-Nr. / Drawing No.:		Zeich.-Nr. / Drawing No.:	
Ersatz-Zugp. / Replaces:		Ersatz-Zugp. / Replaces:		Ersatz-Zugp. / Replaces:		Ersatz-Zugp. / Replaces:		Ersatz-Zugp. / Replaces:		Ersatz-Zugp. / Replaces:	
Dokument-ID / Document ID:		Dokument-ID / Document ID:		Dokument-ID / Document ID:		Dokument-ID / Document ID:		Dokument-ID / Document ID:		Dokument-ID / Document ID:	
Index / Index:		Index / Index:		Index / Index:		Index / Index:		Index / Index:		Index / Index:	
Format / Size:		Format / Size:		Format / Size:		Format / Size:		Format / Size:		Format / Size:	
Maßstab/Scale		Maßstab/Scale		Maßstab/Scale		Maßstab/Scale		Maßstab/Scale		Maßstab/Scale	
<b>ebmpapst</b> ebmpapst St. Georgen GmbH & Co. KG		<b>ebmpapst</b> ebmpapst St. Georgen GmbH & Co. KG		<b>ebmpapst</b> ebmpapst St. Georgen GmbH & Co. KG		<b>ebmpapst</b> ebmpapst St. Georgen GmbH & Co. KG		<b>ebmpapst</b> ebmpapst St. Georgen GmbH & Co. KG		<b>ebmpapst</b> ebmpapst St. Georgen GmbH & Co. KG	