

8300100396
VHS0140X2MGZ

AC centrifugal fan

forward-curved, single-intake
with housing (flange)

8300100396 ebmpapst Datasheet
sales@fansco.com
www.fansco.com

Limited partnership · Headquarters Mulfingen
Amtsgericht (court of registration) Stuttgart · HRA 590344
General partner Elektrobau Mulfingen GmbH · Headquarters Mulfingen
Amtsgericht (court of registration) Stuttgart · HRB 590142

Nominal data

| | | | | |
|-----------------------------|-------------------|---------|---------|-----------|
| Item | 8300100396 | | | |
| Motor | A06803-35 | | | |
| Phase | | 1~ | 1~ | 1~ |
| Nominal voltage | VAC | 230 | 230 | 230 |
| Frequency | Hz | 50 | 60 | 60 |
| Method of obtaining data | | fa | fa | fa |
| Valid for approval/standard | | CE | CE | UL 1004-3 |
| Speed (rpm) | min ⁻¹ | 2400 | 2350 | 2350 |
| Power consumption | W | 160 | 205 | 220 |
| Current draw | A | 0.7 | 0.9 | 0.96 |
| Capacitor | µF | 4 | 4 | 4 |
| Capacitor voltage | VDB | 400 | 400 | 400 |
| Capacitor standard | | S0 (CE) | S0 (CE) | UL |
| Min. back pressure | Pa | 0 | 0 | 0 |
| Min. back pressure | in. wg | 0 | 0 | 0 |
| Min. ambient temperature | °C | -25 | -25 | -25 |
| Max. ambient temperature | °C | 70 | 45 | 45 |

ml = Max. load · me = Max. efficiency · fa = Free air · cs = Customer specification · ce = Customer equipment
Subject to change



8300100396

VHS0140X2MGZ

AC centrifugal fan

forward-curved, single-intake

with housing (flange)

Technical description

| | |
|--|--|
| Size | 140 mm |
| Motor size | 68 |
| Impeller material | Sheet steel, hot-dip galvanized |
| Housing material | Die-cast aluminum |
| Guard grille material | Steel, phosphated and coated with black plastic (RAL 9005) |
| Direction of rotation | Clockwise, viewed toward rotor |
| Degree of protection | IP44 |
| Insulation class | "B" |
| Moisture (F) / Environmental (H) protection class | H0 - dry environment |
| Max. permitted ambient temp. for motor (transport/storage) | + 80 °C |
| Min. permitted ambient temp. for motor (transport/storage) | - 40 °C |
| Installation position | Any |
| Condensation drainage holes | None |
| Mode | S1 |
| Motor bearing | Ball bearing |
| Touch current according to IEC 60990 (measuring circuit Fig. 4, TN system) | < 0.75 mA |
| Motor protection | Thermal overload protector (TOP) internally connected |
| Protection class assignment | I; If a protective earth is connected by the customer This component for installation may have several local protection classes. This information relates to this component's basic design. The final protection class is based on the component's intended installation and connection. |
| Conformity with standards | EN 60034-1; EN 60204-1; EN 60335-1; CE |
| Approval | CSA C22.2 No. 77; EAC; UL 1004-3 |

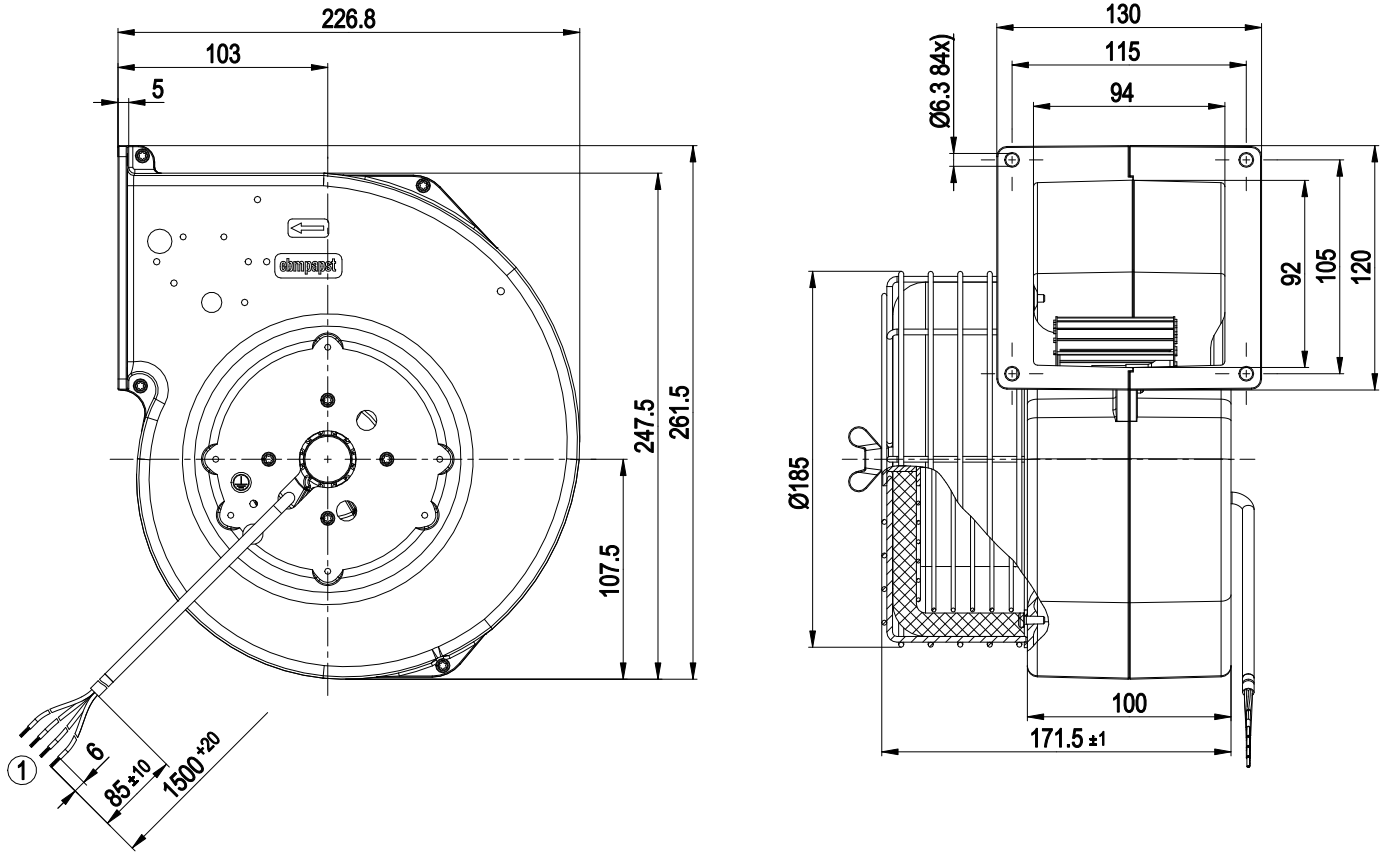


8300100396
VHS0140X2MGZ

AC centrifugal fan

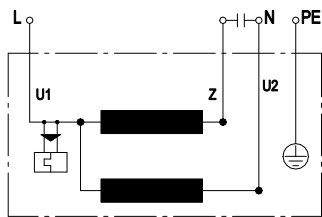
forward-curved, single-intake
with housing (flange)

Product drawing



| | | |
|---|-----------------|-----------|
| 1 | Cable PVC AWG18 | 4x splice |
|---|-----------------|-----------|

Connection diagram



| | | | | | |
|----|--------------|---|---------|----|---------|
| U1 | black 2 | Z | black 3 | U2 | black 1 |
| PE | green/yellow | | | | |

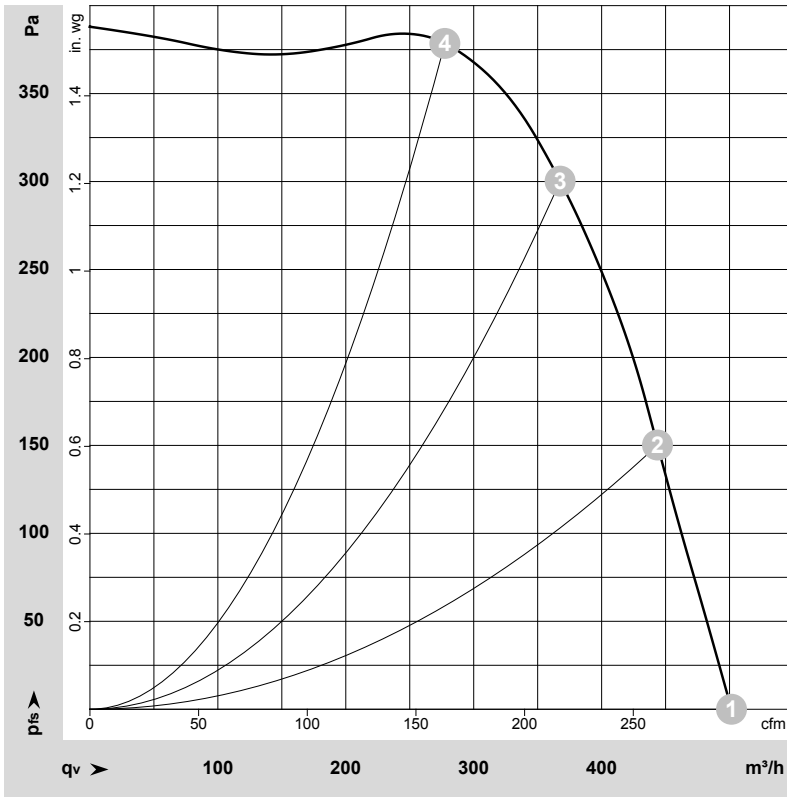


8300100396
VHS0140X2MGZ

AC centrifugal fan

forward-curved, single-intake
with housing (flange)

Curves: Air performance 50 Hz



$\rho = 1.15 \text{ kg/m}^3 \pm 2 \%$

Measurement: LU-104964-1

Air performance measured according to ISO 5801 installation category A. For detailed information on the measurement setup, contact ebmpapst. Intake sound level: Sound power level according to ISO 13347 / sound pressure level measured at 1 m distance from fan axis. The values given are valid under the specified measuring conditions and may vary due to conditions of installation. For deviations from the standard configuration, the parameters have to be checked on the installed unit.

Measured values

| | Wired | U | f | n | P_e | I | q_v | P_{fs} | q_v | P_{fs} |
|---|-------|-----|----|-------------------|-------|------|-----------------------|----------|-------|----------|
| | | V | Hz | min^{-1} | W | A | m^3/h | Pa | cfm | in. wg |
| 1 | 1~ | 230 | 50 | 2400 | 160 | 0.70 | 500 | 0 | 295 | 0.00 |
| 2 | 1~ | 230 | 50 | 2495 | 143 | 0.62 | 445 | 150 | 260 | 0.60 |
| 3 | 1~ | 230 | 50 | 2615 | 124 | 0.54 | 370 | 300 | 215 | 1.20 |
| 4 | 1~ | 230 | 50 | 2710 | 107 | 0.47 | 275 | 380 | 165 | 1.53 |

Wired = Wiring · U = Voltage · f = Frequency · n = Speed (rpm) · P_e = Power consumption · I = Current draw · q_v = Air flow · P_{fs} = Pressure increase

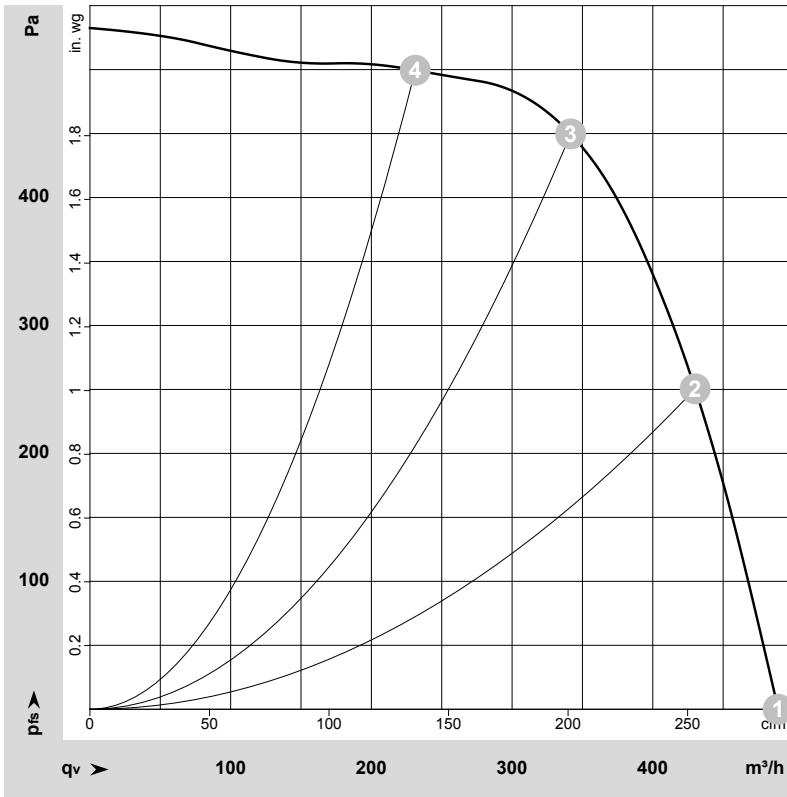


8300100396
VHS0140X2MGZ

AC centrifugal fan

forward-curved, single-intake
with housing (flange)

Curves: Air performance 60 Hz



$\rho = 1.15 \text{ kg/m}^3 \pm 2 \%$

Measurement: LU-104967-1

Air performance measured according to ISO 5801 installation category A. For detailed information on the measurement setup, contact ebm-papst. Intake sound level: Sound power level according to ISO 13347 / sound pressure level measured at 1 m distance from fan axis. The values given are valid under the specified measuring conditions and may vary due to conditions of installation. For deviations from the standard configuration, the parameters have to be checked on the installed unit.

Measured values

| | Wired | U | f | n | P _e | I | q _v | p _{fs} | q _v | P _{fs} |
|---|-------|-----|----|-------------------|----------------|------|-------------------|-----------------|----------------|-----------------|
| | | V | Hz | min ⁻¹ | W | A | m ³ /h | Pa | cfm | in. wg |
| 1 | 1~ | 230 | 60 | 2350 | 205 | 0.90 | 490 | 0 | 290 | 0.00 |
| 2 | 1~ | 230 | 60 | 2680 | 185 | 0.81 | 430 | 250 | 255 | 1.00 |
| 3 | 1~ | 230 | 60 | 2980 | 163 | 0.73 | 340 | 450 | 200 | 1.81 |
| 4 | 1~ | 230 | 60 | 3175 | 140 | 0.65 | 230 | 500 | 135 | 2.01 |

Wired = Wiring · U = Voltage · f = Frequency · n = Speed (rpm) · P_e = Power consumption · I = Current draw · q_v = Air flow · p_{fs} = Pressure increase

