

8300100053
VBH0310CTPMS

EC centrifugal module - RadiPac

backward-curved, single-intake
with support bracket

8300100053 ebmpapst Datasheet

sales@fansco.com

www.fansco.com

Nominal data

Item	8300100053	
Motor	E08423-65	
Phase		3~
Nominal voltage	VAC	400
Nominal voltage range	VAC	380 .. 480
Frequency	Hz	50/60
Method of obtaining data		ml
Speed (rpm)	min ⁻¹	3800
Power consumption	W	1500
Current draw	A	2.4
Min. ambient temperature	°C	-40
Max. ambient temperature	°C	40

ml = Max. load · me = Max. efficiency · fa = Free air · cs = Customer specification · ce = Customer equipment
Subject to change

Data according to Commission Regulation (EU) 327/2011 (prEN 17166)

		Actual	Req. 2015			
01 Overall efficiency η_{es}	%	71.6	53.4	09 Power consumption P_{ed}	kW	1.52
02 Measurement category		A		09 Air flow q_v	m ³ /h	4015
03 Efficiency category		Static		09 Pressure increase p_{fs}	Pa	917
04 Efficiency grade N		80.2	62	10 Speed (rpm) n	min ⁻¹	3800
05 Variable speed drive		Yes		11 Specific ratio [*]		1.01

Data obtained at optimum efficiency level.

^{*} Specific ratio = $1 + p_s / 100\,000\text{ Pa}$

LU-213889

The efficiency values displayed for achieving conformity with the Ecodesign Regulation EU 327/2011 has been reached with defined air duct components (e.g. inlet rings). The dimensions must be requested from ebm-papst. If other air conduction geometries are used on the installation side, the ebm-papst evaluation loses its validity/the conformity must be confirmed again. The product does not fall within the scope of Regulation (EU) 2019/1781 due to the exception specified in Article 2 (2a) (motors completely integrated into a product).

8300100053

VBH0310CTPMS

EC centrifugal module - RadiPac

backward-curved, single-intake

with support bracket

Technical description

Weight	12.64 kg
Size	310 mm
Motor size	84
Rotor surface	Painted black
Electronics housing material	Die-cast aluminum
Impeller material	PP plastic
Support plate material	Sheet steel, galvanized
Support bracket material	Steel, painted black
Inlet nozzle material	ABS plastic
Number of blades	5
Direction of rotation	Clockwise, viewed toward rotor
Degree of protection	IP55
Insulation class	"F"
Moisture (F) / Environmental (H) protection class	H1
Ambient temperature note	Occasional start-up at temperatures between -40°C and -25°C is permitted. For continuous operation at ambient temperatures below -25°C (such as refrigeration applications), use must be made of a fan design with special low-temperature bearings.
Max. permitted ambient temp. for motor (transport/storage)	+80 °C
Min. permitted ambient temp. for motor (transport/storage)	-40 °C
Installation position	See legend on product drawing
Condensation drainage holes	On rotor side
Mode	S1
Motor bearing	Ball bearing
Technical features	<ul style="list-style-type: none"> - Output 10 VDC, max. 10 mA - Operation and alarm display - External 24 V input (parameter setting) - Alarm relay - Integrated PID controller - MODBUS V5.1 - Motor current limitation - PFC, passive - RS-485 MODBUS-RTU - Soft start - EEPROM write cycles: 100,000 maximum - Control input 0-10 VDC / PWM - Control interface with SELV potential safely disconnected from the mains - Thermal overload protection for electronics/motor - Line undervoltage / phase failure detection
EMC immunity to interference	According to EN 61000-6-2 (industrial environment)
EMC interference emission	According to EN 61000-6-3 (household environment), except EN 61000-3-2 for professionally used equipment with a total rated power greater than 1 kW
Touch current according to IEC 60990 (measuring circuit Fig. 4, TN system)	<= 3.5 mA
Motor protection	Thermal switch auto reset, internally connected
With cable	Lateral

8300100053
VBH0310CTPMS

EC centrifugal module - RadiPac

backward-curved, single-intake
with support bracket

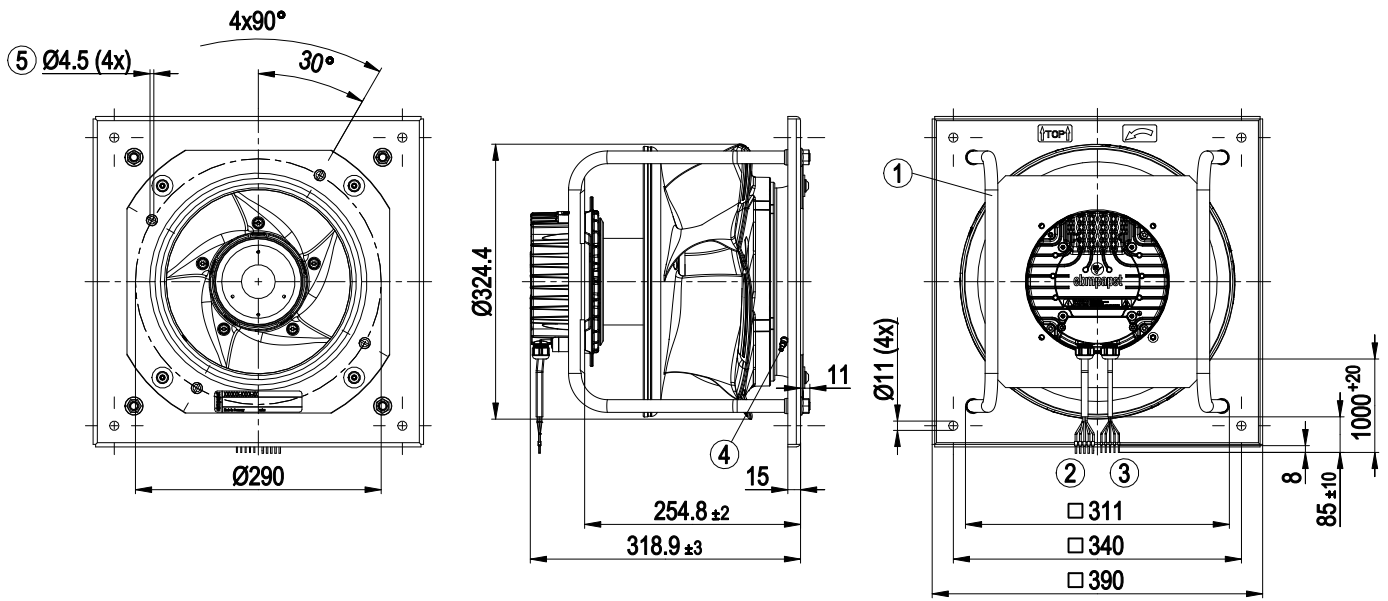
Protection class assignment	I; If a protective earth is connected by the customer This component for installation may have several local protection classes. This information relates to this component's basic design. The final protection class is based on the component's intended installation and connection.
Conformity with standards	EN 61800-5-1; CE; UKCA
Approval	CSA C22.2 No. 77 + CAN/CSA-E60730-1; EAC; UL 1004-7 + 60730-1

8300100053
VBH0310CTPMS

EC centrifugal module - RadiPac

backward-curved, single-intake
with support bracket

Product drawing

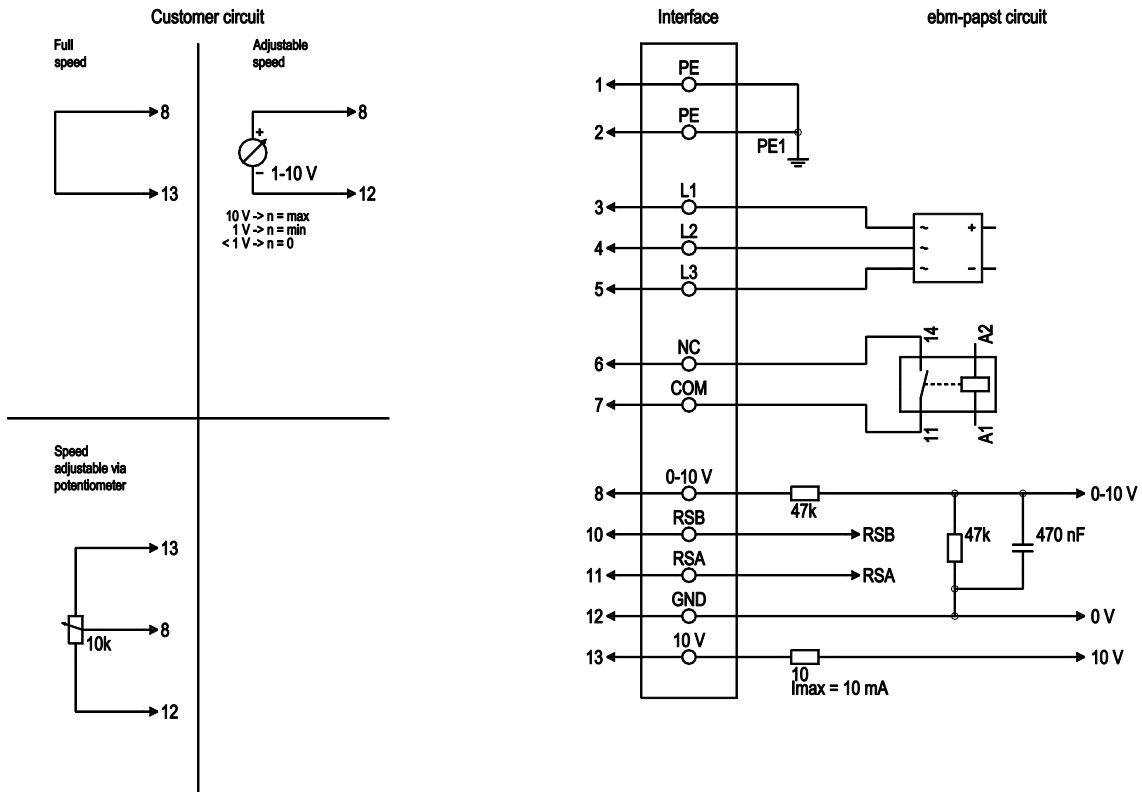


1	Installed position: shaft horizontal (install support struts only vertically as illustrated) or rotor on bottom; rotor on top on request
2	Cable PVC AWG18 6x wire-end ferrule
3	Cable PVC AWG22 5x wire-end ferrule
4	Inlet ring with pressure tap (k-factor: 115)
5	Fastening holes for FlowGrid 25310-2-2957 (not included in scope of delivery) are provided and must be subsequently opened as required

EC centrifugal module - RadiPac

backward-curved, single-intake
with support bracket

Connection diagram



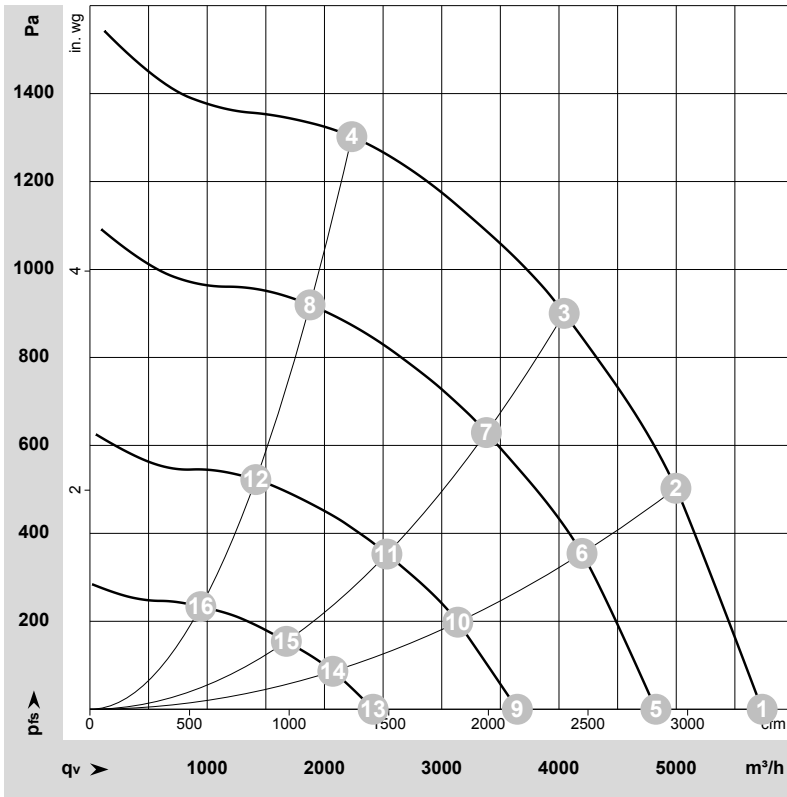
No.	Conn.	Designation	Color	Function/assignment
1	1, 2	PE	green/yellow	Protective earth
1	3	L1	black	Power supply
1	4	L2	black	Power supply
1	5	L3	black	Power supply
1	6	NC	white 1	Status relay, floating status contact, break for failure, contact rating 250 VAC / 2 A (AC1) / min. 10 mA; reinforced insulation on supply side and basic insulation on control interface side
1	7	COM	white 2	Status relay, floating status contact, break for failure, contact rating 250 VAC / 2 A (AC1) / min. 10 mA; reinforced insulation on supply side and basic insulation on control interface side
2	8	0-10V	yellow	Analog input (set value), 0-10 V, Ri = 100 kΩ, adjustable curve, SELV
2	10	RSB	brown	RS485 interface for MODBUS, RSB; SELV
2	11	RSA	white	RS485 interface for MODBUS, RSA; SELV
2	12	GND	blue	Reference ground for control interface, SELV
2	13	+10V	red	Fixed voltage output 10 VDC, +10 V ±3%, max. 10 mA, short-circuit-proof power supply for external devices (e.g. pot), SELV fixed voltage input 24 VDC for setting parameters via MODBUS without line voltage supply

8300100053
VBH0310CTPMS

EC centrifugal module - RadiPac

backward-curved, single-intake
with support bracket

Curves: Air performance 50 Hz



$\rho = 1.15 \text{ kg/m}^3 \pm 2 \%$

Measurement: LU-213889-1
Date: 2021-05-26
Nozzle: 8217101930

Air performance measured according to ISO 5801 installation category A. For detailed information on the measurement setup, contact ebmpapst. Intake sound level: Sound power level according to ISO 13347 / sound pressure level measured at 1 m distance from fan axis. The values given are valid under the specified measuring conditions and may vary due to conditions of installation. For deviations from the standard configuration, the parameters have to be checked on the installed unit.

Measured values

	Wired	U	f	n	P _e	I	LpA _{in}	LwA _{in}	LwA _{out}	q _v	P _{fs}	q _v	P _{fs}
		V	Hz	min ⁻¹	W	A	dB(A)	dB(A)	dB(A)	m ³ /h	Pa	cfm	in. wg
1	3~	400	50	3800	1008	1.56	83	91	94	5735	0	3375	0.00
2	3~	400	50	3800	1380	2.11	77	85	87	4995	500	2940	2.01
3	3~	400	50	3800	1500	2.40	76	82	85	4045	900	2380	3.61
4	3~	400	50	3800	1470	2.24	79	86	90	2235	1300	1315	5.22
5	3~	400	50	3185	618	0.99	78	86	89	4825	0	2840	0.00
6	3~	400	50	3185	829	1.29	72	80	83	4195	356	2470	1.43
7	3~	400	50	3185	908	1.41	71	78	81	3380	631	1990	2.53
8	3~	400	50	3185	874	1.36	75	81	85	1875	923	1105	3.71
9	3~	400	50	2395	290	0.53	71	79	82	3645	0	2145	0.00
10	3~	400	50	2395	378	0.64	65	73	77	3135	198	1845	0.79
11	3~	400	50	2395	413	0.69	64	71	75	2530	354	1490	1.42
12	3~	400	50	2395	402	0.68	68	73	77	1415	524	835	2.10
13	3~	400	50	1605	110	0.29	61	70	73	2415	0	1420	0.00
14	3~	400	50	1605	134	0.33	56	64	68	2070	86	1220	0.35
15	3~	400	50	1605	144	0.34	55	62	66	1675	155	985	0.62
16	3~	400	50	1605	142	0.34	57	63	67	945	234	555	0.94

Wired = Wiring · U = Voltage · f = Frequency · n = Speed (rpm) · P_e = Power consumption · I = Current draw · LpA_{in} = Sound pressure level intake side · LwA_{in} = Sound power level intake side
LwA_{out} = Sound power level outlet side · q_v = Air flow · P_{fs} = Pressure increase