

Product Data Sheet **8315100093**
VWCD060AJEGZ
624/2HHP-00093

ebmpapst

engineering a better life

624/2HHP-00093 (8315100093) ebmpapst Datasheet FansCo
sales@fansco.com
www.fansco.com



624/2HHP-00093

INDEX

- 1 General 3**
- 2 Mechanics 3**
 - 2.1 General 3
 - 2.2 Connections 3
- 3 Operating Data 4**
 - 3.1 Electrical Interface - Input 4
 - 3.2 Electrical Operating Data 5
 - 3.3 Electrical Interface - Output 6
 - 3.4 Electrical Features 7
 - 3.5 Aerodynamics 8
 - 3.6 Sound Data 9
- 4 Environment 9**
 - 4.1 General 9
 - 4.2 Climatic Requirements 9
- 5 Safety 10**
 - 5.1 Electrical Safety 10
 - 5.2 Approval Tests 10
- 6 Reliability 10**
 - 6.1 General 10

1 General

Fan type	Axial	
Rotating direction looking at rotor	Clockwise	
Airflow direction	Air outlet over struts	
Bearing system	Ball bearing	
Mounting position - shaft	Any	

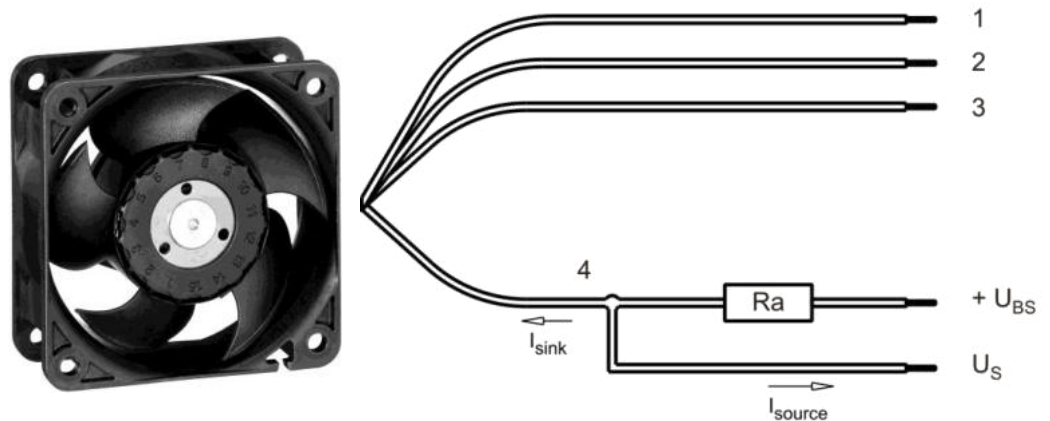
2 Mechanics

2.1 General

Width	60,0 mm	
Height	60,0 mm	
Depth	25,0 mm	
Mass	0,070 kg	
Housing material	Plastic	
Impeller material	Plastic	
Max. torque when mounted across both mounting flanges	Wire outlet corner: 10 Ncm Remaining corners: 20 Ncm	
Screw size	ISO 4762 - M3 degreased, without an additional brace and without washer	

2.2 Connections

Electrical connection	Wires - Plug	
Lead wire length	L = 300 mm	
Tolerance	+/- 10,0 mm	
Plug	See drawing	
Contact	See drawing	



Wire	Color	Operation	Plug connection	Wire size	Insulation diameter
1	red	+ UB	Pin 2	AWG 24	1,60 mm
2	blue	- GND	Pin 1	AWG 24	1,60 mm
3	violet	PWM	Pin 4	AWG 24	1,60 mm
4	white	Tacho	Pin 3	AWG 24	1,60 mm

The auxiliaries shown on the schematic diagram (which are required for the intended use) are not part of our delivery.

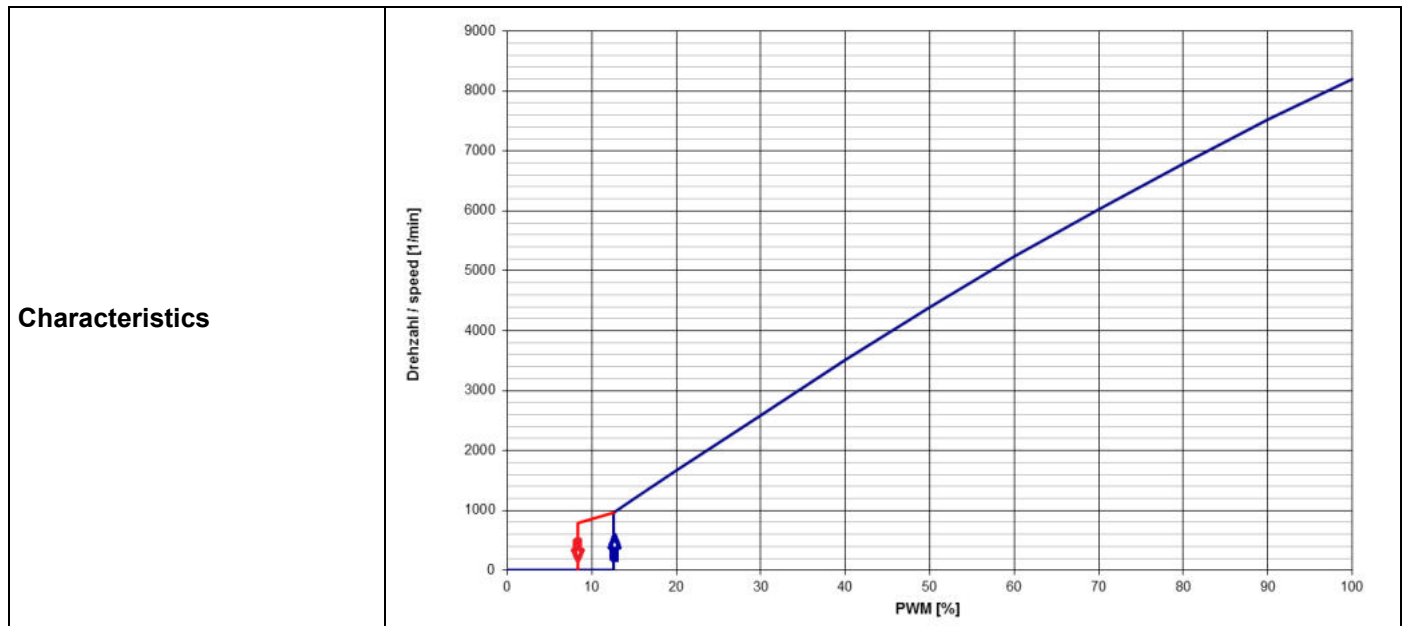
3 Operating Data

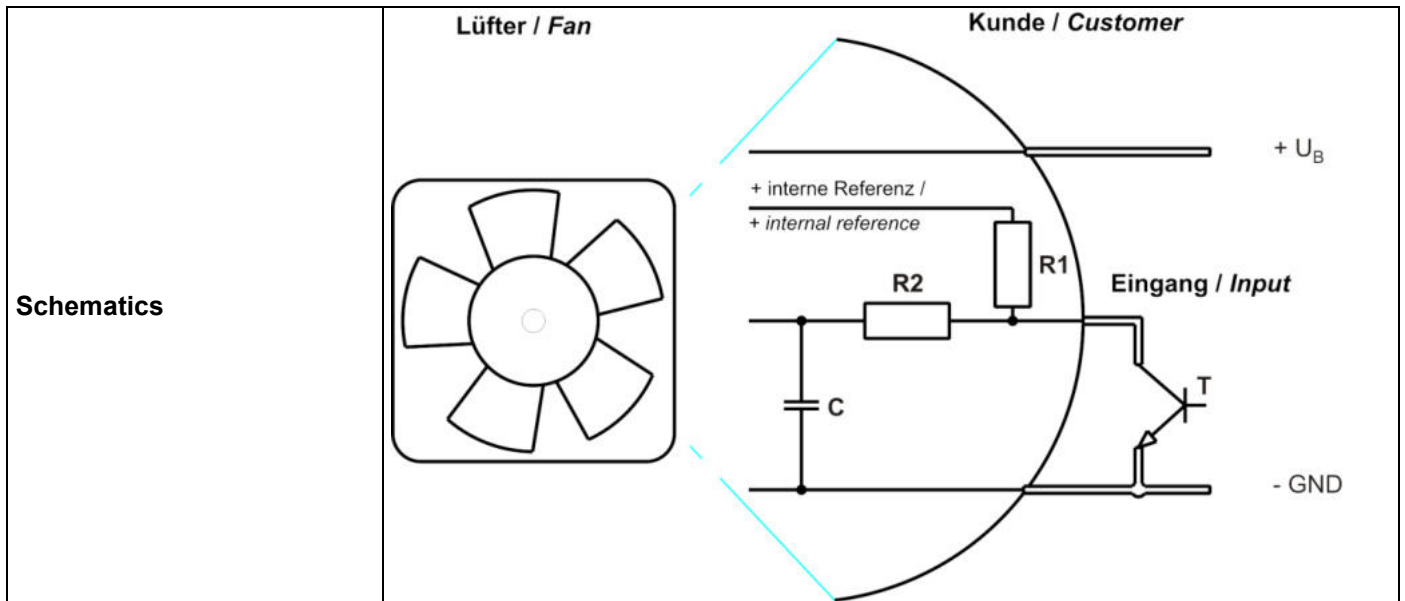
3.1 Electrical Interface - Input

Control input	PWM
---------------	-----

Features

Input type	Open collector / TTL	
PWM - Frequency		21 kHz - 28 kHz typical: 25 kHz
Max. voltage for logic "Low"		0,8 V
Max. voltage for logic "High"	Open circuit voltage	5,25 V
Maximum source current	short circuit current	$\leq 50 \mu\text{A}$
4 wire startup condition	PWM duty cycle	$\geq 13 \%$
4 wire operation condition after startup	PWM duty cycle	9 % - 100 %
Shutdown condition	PWM duty cycle	$< 9 \%$
Typical time until warm restart	After shutdown by PWM	$\sim 0,1 \text{ s}$





3.2 Electrical Operating Data

Measurement conditions: Normal air density = 1,2 kg/m³; Temperature 23°C +/- 3°C; Motor axis horizontal; warm-up time before measuring 5 minutes (unless otherwise specified). In the intake and outlet area should not be any solid obstruction within 0,5 m.

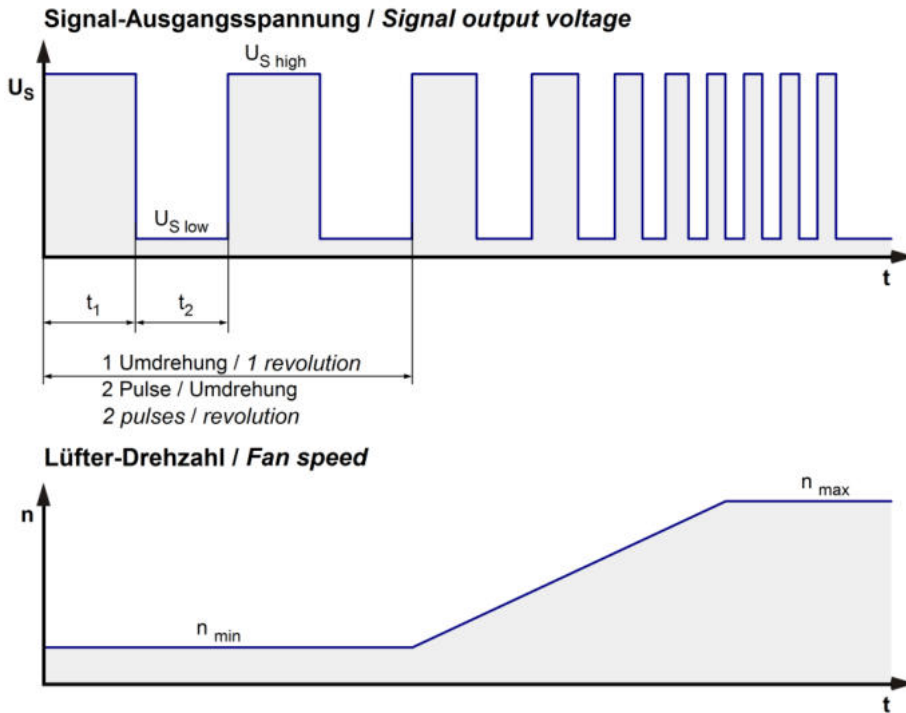
$\Delta p = 0$: corresp. to free air flow (see chapter aerodynamics)
 I: corresp. to arithm. mean current value

Name	Condition		
PWM 0001	PWM: 100 %; f: 25 kHz	f: 21 kHz	f: 28 kHz

Features	Condition	Symbol	Values		
Voltage range		U	18,0 V		30 V
Nominal voltage		U _N		24,0 V	
Power consumption	$\Delta p = 0$	P	1,5 W	2,9 W	4,1 W
Tolerance	PWM 0010		+/- 17,5 %	+/- 12,5 %	+/- 12,5 %
Current consumption	$\Delta p = 0$	I	85 mA	120 mA	152 mA
Tolerance	PWM 0010		+/- 17,5 %	+/- 12,5 %	+/- 12,5 %
Speed	$\Delta p = 0$	n	6.420 1/min	8.200 1/min	9.870 1/min
Tolerance	PWM 0010		+/- 12,5 %	+/- 7,5 %	+/- 10,0 %
Starting current consumption				< 500 mA	

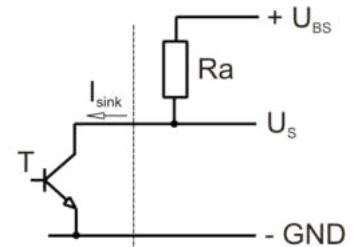
3.3 Electrical Interface - Output

Tacho type	/2 (open collector)
------------	---------------------



$$R_a = \frac{U_{BS} - U_{S\ low}}{I_{sink}}$$

Lüfter / Fan Kunde / Customer

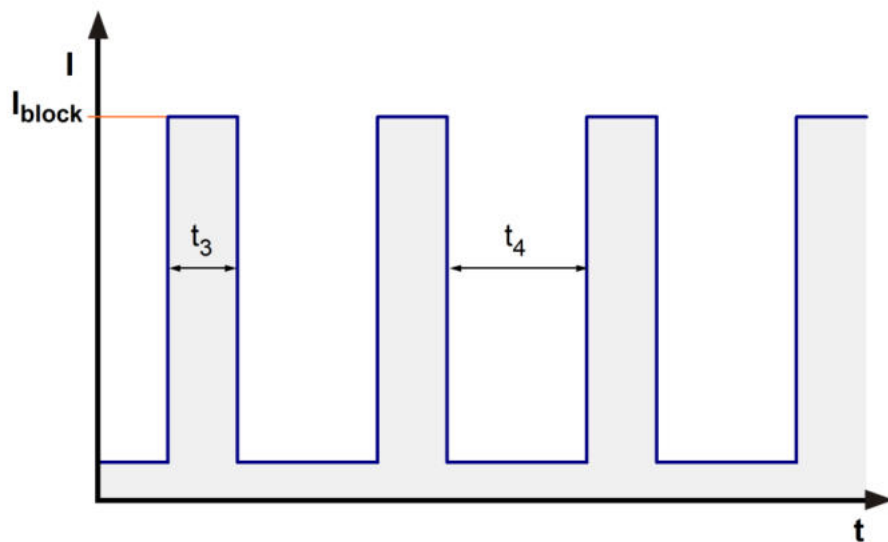


Features	Note	Values
Tacho operating voltage	U_{BS}	$\leq 30\ V$
Tacho signal Low	$U_{S\ low}$	$I_{sink}: 2\ mA$ $\leq 0,5\ V$
Tacho signal High	$U_{S\ high}$	$I_{source}: 0\ mA$ $30\ V$
Maximum sink current	I_{sink}	$4\ mA$
Maximum source current		$0\ mA$
External resistor	External resistor R_a from U_{BS} to U_s required. All voltages measured to GND.	
Tacho frequency	$(2 \times n) / 60$	
Tacho isolated from motor	No	
Slew rate		$\geq 0,5\ V/\mu s$

n = revolutions per minute (1/min)

3.4 Electrical Features

Electronic function	None	
Reversed polarity protection	Rectifying diode	
Max. residual current at U_N	$I_F \leq 1 \text{ mA}$	
Locked rotor protection	Auto restart	
Locked rotor current at U_N	I_{block} approx. 460 mA	
Clock signal at locked rotor	t_3 / t_4 typical: 0,33 s / 4 s	



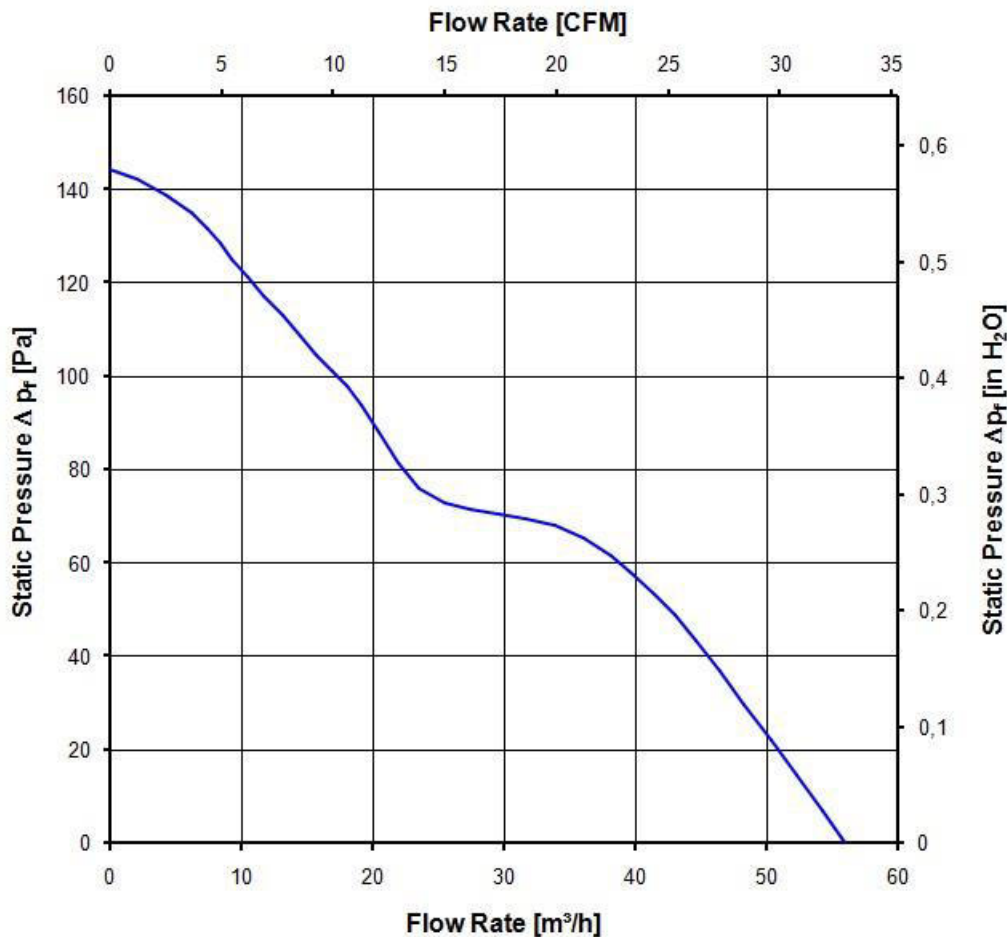
3.5 Aerodynamics

Measurement conditions: Measured with a double chamber intake rig acc. to DIN EN ISO 5801.
 Normal air density = 1,2 kg/m³; Temperature 23°C +/- 3°C;
 In the intake and outlet area should not be any solid obstruction within 0,5 m. Motor shaft horizontal.
 The information is only valid under the specified test conditions and may be changed by the installation conditions. If there are deviations from the standard test conditions, the characteristic values must be checked under the installed conditions.

a.) Operation condition:

8.200 1/min at free air flow	PWM 100 %; f: 25 kHz	f: 21 kHz	f: 28 kHz
------------------------------	----------------------	-----------	-----------

Max. free-air flow ($\Delta p = 0 / \dot{V} = \text{max.}$)	56,0 m ³ /h	
Max. static pressure ($\Delta p = \text{max.} / \dot{V} = 0$)	145 Pa	



3.6 Sound Data

Measurement conditions: Sound pressure level: 1 meter distance between microphone and the air intake.
 Sound power level: Acc. to DIN 45635 part 38 (ISO 10302)
 Measured in a semianechoic chamber with a background noise level of $L_p(A) < 5 \text{ dB(A)}$
 For further measurement conditions see chapter aerodynamics.

a.) Operation condition:

8.200 1/min at free air flow	PWM 100 %; f: 25 kHz	f: 21 kHz	f: 28 kHz
------------------------------	----------------------	-----------	-----------

Optimal operating point	40,0 m3/h @ 51 Pa	
Sound power level at the optimal operating point	5,6 bel(A)	
Sound pressure level at free air flow, measured in rubber bands	43,0 dB(A)	

4 Environment

4.1 General

Min. permitted ambient temperature TU min.	-20 °C	
Max. permitted ambient temperature TU max.	70 °C	
Min. permitted storage temperature TL min.	-40 °C	
Max. permitted storage temperature TL max.	80 °C	

4.2 Climatic Requirements

Humidity requirements	humid heat, constant; according to DIN EN 60068-2-78, 14 days	
Water exposure	None	
Dust requirements	None	
Salt fog requirements	None	

Permitted application area:

The product is intended for use in sheltered rooms with controlled temperature and controlled humidity. Directly exposure to water must be avoided.

Pollution degree 1 (according DIN EN 60664-1)

There is either no pollution or it occurs only dry, non-conductive pollution. The pollution has no negative impact.

Please require severity levels and specification parameters from the responsible development departments.

5 Safety**5.1 Electrical Safety**

Dielectric strength DIN EN 62368 and DIN EN 60335 A.) Type test Measuring conditions: After 48h of storage at 95% R.H. and 25°C. No arcing or breakdown is allowed! All connections together to ground. B.) Routine test Measuring conditions: At indoor climate. No arcing or breakdown is allowed! All connections together to ground.	500 VAC / 1 Min. 850 VDC / 1 Sec.	
Isolation resistance Measuring conditions: After 48h of storage at 95% R.H. and 25°C measured with U=500 VDC for 1 min.	RI > 10 MOhm	
Clearance / creepage distance	1,0 mm / 1,2 mm	
Protection class	III	

5.2 Approval Tests

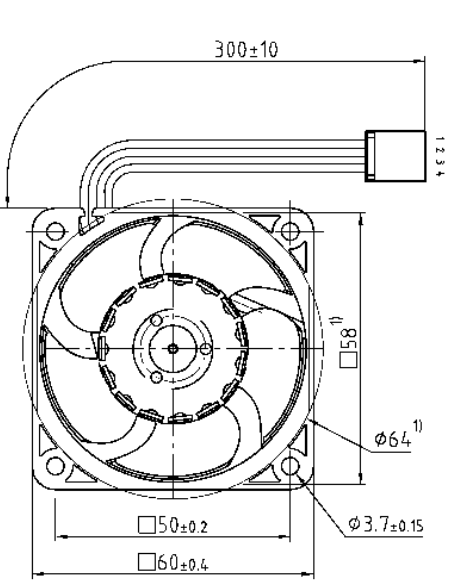
CE	EC Declaration of Conformity	Yes
EAC	Eurasian Conformity	Yes
UL	Underwriters Laboratories	Yes / UL507, Electric Fans E38324
VDE	Association for Electrical, Electronic and Information Technologies	Yes / Approval acc. to EN 62368 - Audio/video, information and communication technology equipment
CSA	Canadian Standards Association	Yes / C22.2 No. 113 Fans and Ventilators
CCC	China Compulsory Certification	Not applicable

6 Reliability**6.1 General**

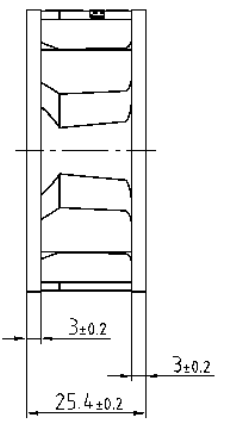
Life expectancy L10 at TU = 40 °C	65.000 h	
Life expectancy L10 at TU max.	32.500 h	
Life expectancy L10 acc. to IPC 9591 at TU = 40 °C	110.000 h	

Copying of this document or parts thereof is prohibited. In the event of a change of design, the manufacturer shall be notified immediately. The manufacturer shall not be liable for any damage or loss of data.

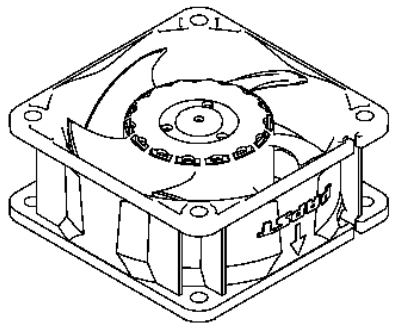
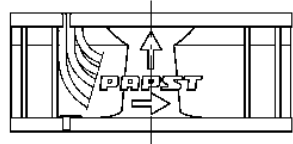
Steckergehäuse / housing: Molex 22-01-3047
 Kontakt / contact: Molex 08-56-0120



Steckerbelegung / plug connection		
Pin 1	blau / blue	GND
Pin 2	rot / red	+24V
Pin 3	weiss / white	Tachosignal
Pin 4	violett / violet	PWM control



Flanschseite



- 1) Maße für Montagewand
- Axialspiel bei
- Kugellagerung (K) : 0 (mit Federausgleich)
 - Gleitlagerung (G) :

SAP-Steuer/Status		Ser.-Nr./Version-Nr.		AutoCAD-System-Version		ebmpapst		Werkstoff/Material		Volumen/Volumen (mm³)	
						(A) - Länge/Length (CA) - Einheiten/Units				Gewicht/Mass (g)	
				Datum/Date		Name/Name		Artikel / Part			
Serien-/Parties Allgemeine Abstände / Gen. Tolerances:		Bearb./Drawn Gepr./Checked Freig./Released									
								Zu Nr. -V / Drawn -No.		Ers.f.Zeitp./Replaces	
		ebm-papst St. Georgen GmbH & Co. KG						Name / Sp/Type of Document Lok./rel./Bl./Page Index/Index Fol./v./Sies Messstab/Scale			