

Product Data Sheet

9295414160
VWS0143XULCZ
6224 NR-160

ebmpapst

The engineer's choice

6224NR-160 (9295414160) ebmpapst Datasheet
sales@fansco.com
www.fansco.com



6224NR-160 (9295414160) ebmpapst Datasheet sales@fansco.com www.fansco.com



6224 NR-160

INDEX

1 General 3

2 Mechanics 3

 2.1 General..... 3

 2.2 Connections..... 3

3 Operating Data 4

 3.1 Electrical Operating Data 4

 3.2 Electrical Features 5

 3.3 Aerodynamics 6

 3.4 Sound Data..... 7

4 Environment..... 7

 4.1 General..... 7

 4.2 Climatic Requirements 7

5 Safety..... 8

 5.1 Electrical Safety 8

 5.2 Approval Tests 8

6 Reliability..... 8

 6.1 General..... 8

1 General

Fan type	Fan	
Rotating direction looking at rotor	Counterclockwise	
Airflow direction	Air outlet over struts	
Bearing system	Stainless steel bearing	
Mounting position - shaft	Any	

2 Mechanics**2.1 General**

Depth	51,0 mm	
Diameter	172,0 mm	
Mass	0,780 kg	
Housing material	Metal	
Impeller material	Plastic	
Max. torque when mounted across both mounting flanges	Wire outlet corner: 600 Ncm Remaining corners: 600 Ncm	
Screw size	ISO 4762 - M4 degreased, without an additional brace and without washer	

2.2 Connections

Electrical connection	Plug	
Lead wire length	See drawing	
Tolerance		
Plug	See drawing	
Contact	See drawing	



3 Operating Data

3.1 Electrical Operating Data

Measurement conditions: Normal air density = 1,2 kg/m³; Temperature 23°C +/- 3°C; Motor axis horizontal; warm-up time before measuring 5 minutes (unless otherwise specified). In the intake and outlet area should not be any solid obstruction within 0,5 m.

$\Delta p = 0$: corresp. to free air flow (see chapter aerodynamics)

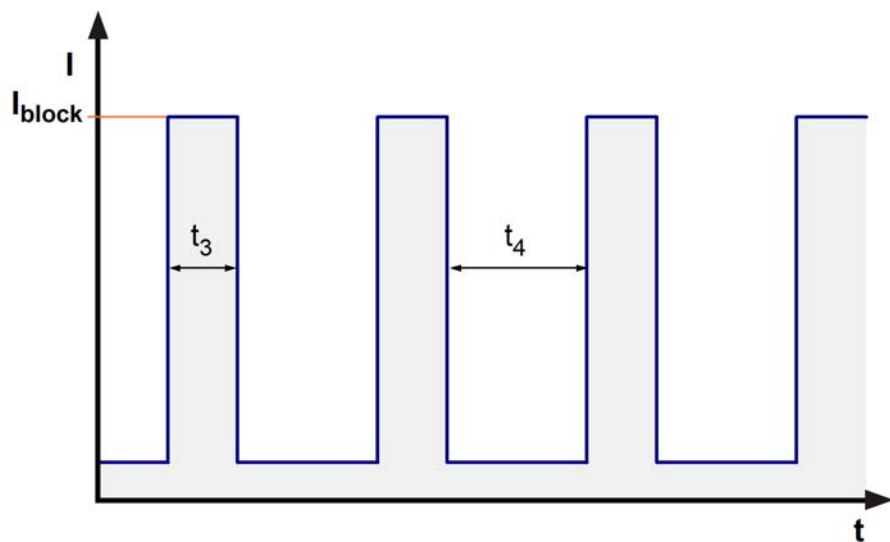
I: corresp. to arithm. mean current value

No inrush current means: Inrush current is mainly affected by length and kind of connecting line

Features	Condition	Symbol	Values		
Voltage range		U	12 V		28 V
Nominal voltage		U_N		24 V	
Power consumption	$\Delta p = 0$	P	3,1 W	17 W	26 W
Tolerance	0010		+/- 25 %	+/- 25 %	+/- 20 %
Current consumption	$\Delta p = 0$	I	260 mA	710 mA	755 mA
Tolerance	0010		+/- 25 %	+/- 25 %	+/- 20 %
Speed	$\Delta p = 0$	n	1.750 1/min	3.400 1/min	3.850 1/min
Tolerance	0010		+/- 10 %	+/- 10 %	+/- 10 %
Starting current consumption				4.000 mA	

3.2 Electrical Features

Electronic function	None	
Reversed polarity protection	Rectifying diode	
Max. residual current at U_N	$I_F \leq 10 \text{ mA}$	
Locked rotor protection	Auto restart	
Locked rotor current at U_N	I_{block} approx. 4.000 mA	
Clock signal at locked rotor	t_3 / t_4 typical: 1,4 s / 5,3 s	



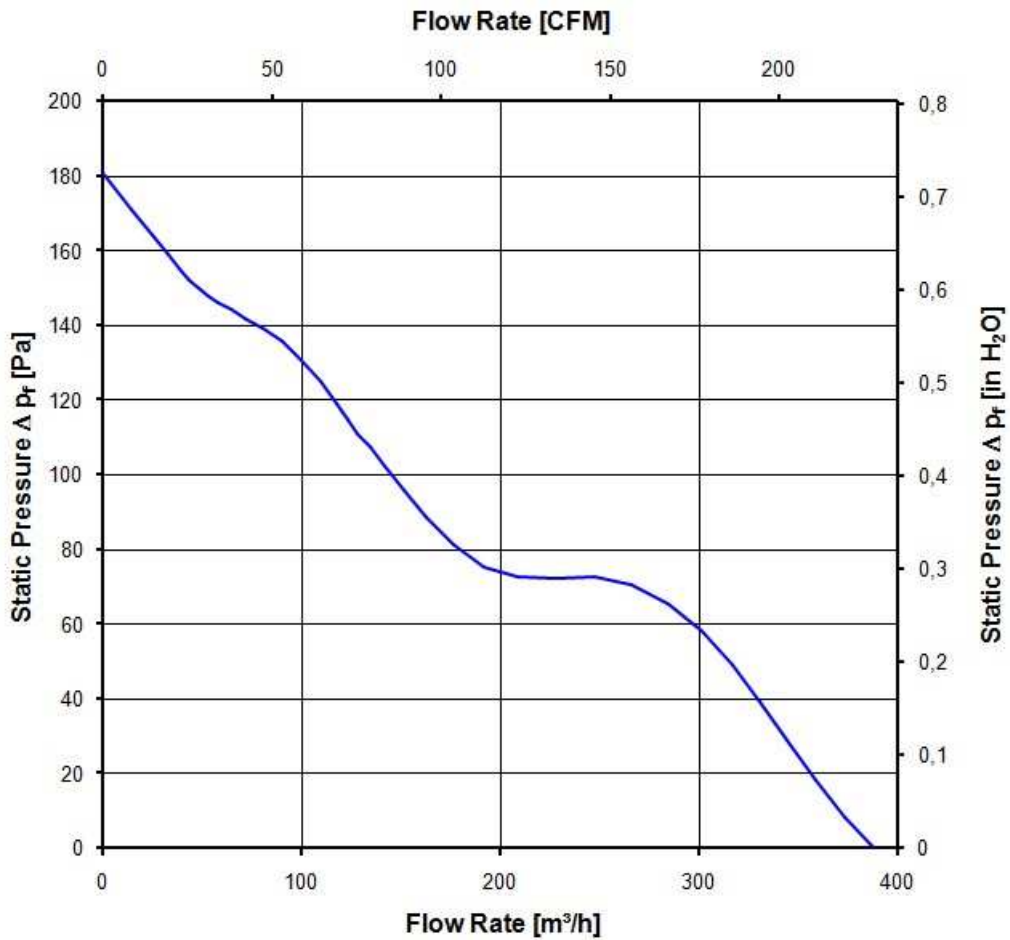
3.3 Aerodynamics

Measurement conditions: Measured with a double chamber intake rig acc. to DIN EN ISO 5801.
Normal air density = 1,2 kg/m³; Temperature 23°C +/- 3°C;
In the intake and outlet area should not be any solid obstruction within 0,5 m. Motor shaft horizontal.
The information is only valid under the specified test conditions and may be changed by the installation conditions. If there are deviations from the standard test conditions, the characteristic values must be checked under the installed conditions.

a.) Operation condition:

3.400 1/min at free air flow

Max. free-air flow ($\Delta p = 0 / \dot{V} = \text{max.}$)	390,0 m ³ /h	
Max. static pressure ($\Delta p = \text{max.} / \dot{V} = 0$)	180 Pa	



3.4 Sound Data

Measurement conditions: Sound pressure level: 1 meter distance between microphone and the air intake.
Sound power level: Acc. to DIN 45635 part 38 (ISO 10302)
Measured in a semianchoic chamber with a background noise level of $L_p(A) < 5 \text{ dB(A)}$
For further measurement conditions see chapter aerodynamics.

a.) Operation condition:

3.400 1/min at free air flow

Optimal operating point	285,0 m ³ /h @ 58 Pa	
Sound power level at the optimal operating point	6,1 bel(A)	
Sound pressure level at free air flow, measured in rubber bands	55,0 dB(A)	

4 Environment

4.1 General

Min. permitted ambient temperature TU min.	-20 °C	
Max. permitted ambient temperature TU max.	72 °C	
Min. permitted storage temperature TL min.	-40 °C	
Max. permitted storage temperature TL max.	80 °C	

4.2 Climatic Requirements

Humidity requirements	humid heat, cyclic; according to DIN EN 60068-2-30, 6 cycle	
Water exposure	None	
Dust requirements	Dust check; according to DIN EN 60068-2-68, 6g/m ² d, 1 day	
Salt fog requirements	None	

Permitted application area:

The product is for the use in sheltered rooms with limited controlled temperature. Occasionally condensed water is allowed. Direct exposure to water must be avoided. Saline ambient conditions must be avoided.

Pollution degree 2 (according DIN EN 60664-1)

It occurs only non-conductive pollution. Occassionally, temporary conductivity caused by condensation occurs.

Please require severity levels and specification parameters from the responsible development departments.

5 Safety

5.1 Electrical Safety

Dielectric strength DIN EN 60950 (VDE 0805) and DIN EN 60335 (VDE 0700) A.) Type test Measuring conditions: After 48h of storage at 95% R.H. and 25°C. No arcing or breakdown is allowed! All connections together to ground.	500 VAC / 1 Min.	
B.) Routine test Measuring conditions: At indoor climate. No arcing or breakdown is allowed! All connections together to ground.	850 VDC / 1 Sec.	
Isolation resistance Measuring conditions: After 48h of storage at 95% R.H. and 25°C measured with U=500 VDC for 1 min.	RI > 10 MOhm	
Clearance / creepage distance	1,0 mm / 1,2 mm	
Protection class	III	

5.2 Approval Tests

CE	EC Declaration of Conformity	Yes
EAC	Eurasian Conformity	Yes
UL	Underwriters Laboratories	Yes / UL507, Electric Fans E38324
VDE	Association for Electrical, Electronic and Information Technologies	Yes / Approval acc. to EN 60950 (VDE 0805) - Information technology equipment
CSA	Canadian Standards Association	Yes / C22.2 No. 113 Fans and Ventilators
CCC	China Compulsory Certification	Not applicable

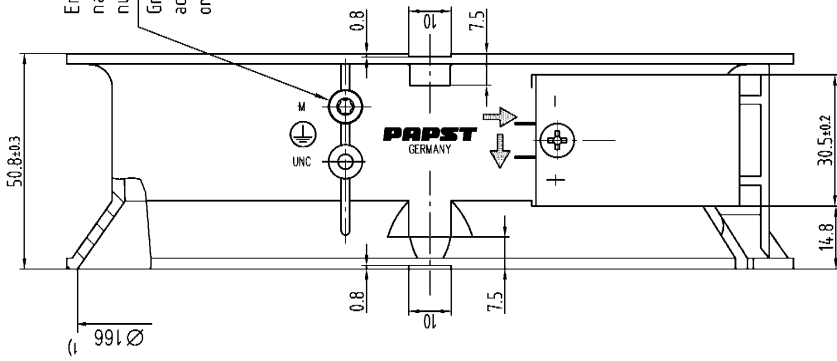
6 Reliability

6.1 General

Life expectancy L10 at TU = 40 °C	75.000 h	
Life expectancy L10 at TU max.	35.000 h	
Life expectancy L10 acc. to IPC 9591 at TU = 40 °C	127. 500 h	

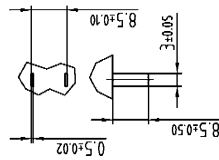
Copyright of this document and giving it to others and the use or communication of the contents thereof are forbidden without express authority. Offenders are liable to the payment of damages. All rights are reserved in the event of the grant of a patent or the registration of a utility model or design.

Schutzmerk nach DIN ISO 9016 beachten!
Refer to protection notice DIN ISO 9016!



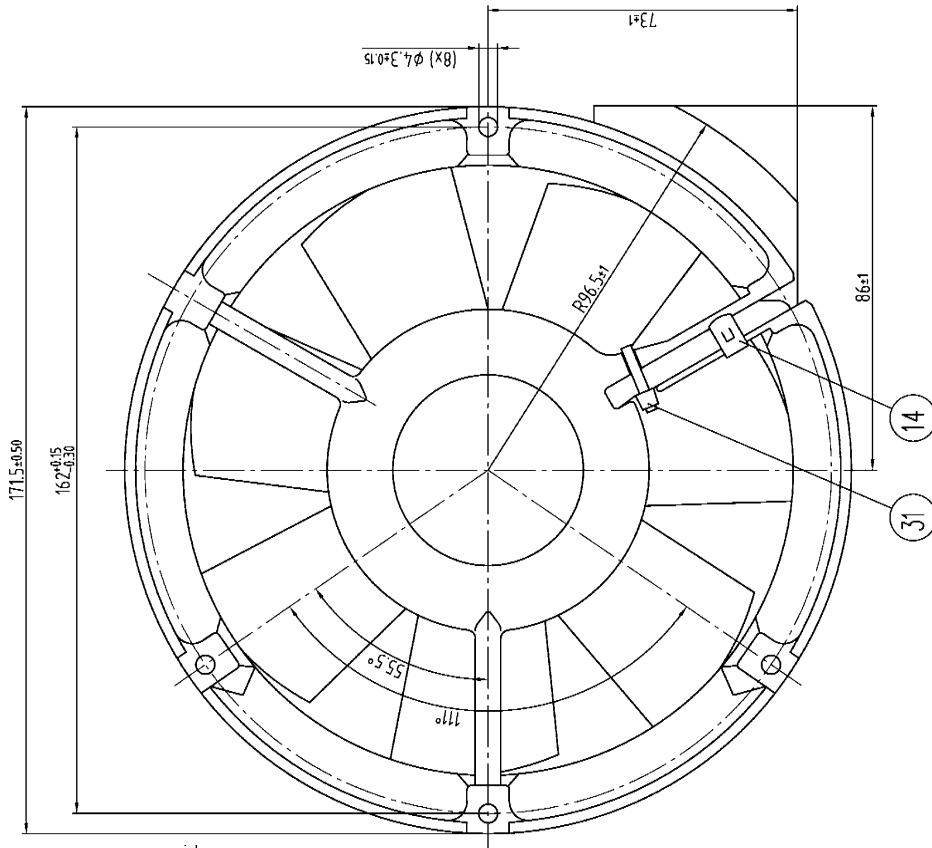
Ⓜ Erdungsschraube Duo-Tapfite nach DIN 7500, CM 4x8, Torx nur, wenn in Unterstückliste enthalten.
Grounding screw Duo-Tapfite according to DIN 7500, CM 4x8, Torx only, if contained in sub-bill of material

Maße für Steckeranschluss
dimensions for plug connector



- Axialspiel: mit Feder spielfrei verspannt
1) Maße für Montagewand

- without axial clearance by a pre-loaded spring
1) dimensions for assembly wall



SP-Symbol/Code	Icon Nr./Image No.	Artikel-Symbol-Nr. CAT-Part-Code	Werkstoff/Material	Volumen/Volume (mm ³) (Gewicht/Weight (g))
Tolerierung/Tolerances	Beach./Drawn Beleg./Sheet	Druckjahr/ Printed	Artikel/Title	
Allgemeinanzw./Gen. tolerances			Zug-/Nr./Drawing-No.	Einzel-/Replaces
<p>ebmpapst</p> <p>ebm-papst St. Georgen GmbH & Co. KG</p>		Durchmesser/Type of Diameter		Material
		Form/Size		Material/Code