



6078ES ebmpapst Datasheet FansCo  
 sales@fansco.com  
 www.fansco.com

### Nominal data

Type	6078 ES	
Phase		1~
Nominal voltage	VAC	230
Frequency	Hz	50
Speed (rpm)	min <sup>-1</sup>	2800
Power consumption	W	26.0
Min. ambient temperature	°C	-25
Max. ambient temperature	°C	75
Air flow	m <sup>3</sup> /h	420
Sound power level	B	6.3
Sound pressure level	dB(A)	54

ml = Max. load · me = Max. efficiency · fa = Free air · cs = Customer specification · ce = Customer equipment  
 Subject to change

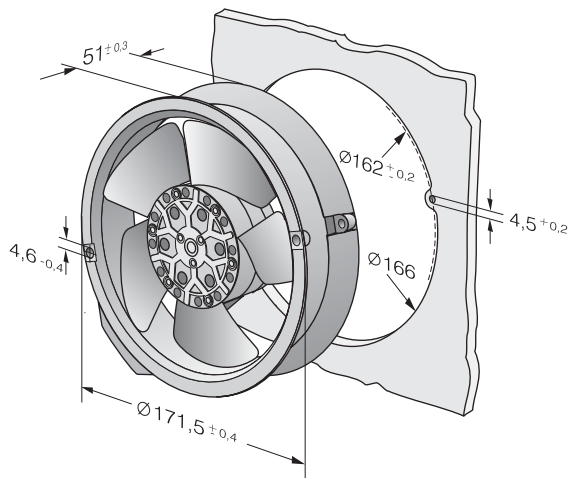


**Technical description**

<b>Weight</b>	1 kg
<b>Dimensions</b>	Ø 172 x 51 mm
<b>Impeller material</b>	Sheet steel, painted black
<b>Housing material</b>	Die-cast aluminum
<b>Airflow direction</b>	Exhaust over struts
<b>Direction of rotation</b>	Counterclockwise, viewed toward rotor
<b>Storage</b>	Ball bearing
<b>Service life L10 at 40 °C</b>	62000 h
<b>Service life L10 at maximum temperature</b>	39000 h
<b>Cable</b>	To 2 flat plugs 2.8 x 0.5 mm. Grounding lug for M4 x 6
<b>Motor protection</b>	Protected from overload by thermal switch
<b>Approval</b>	VDE, CSA, UL, CE



## Product drawing



## Curves: Air performance

