



6058ES ebmpapst Datasheet FansCo
sales@fansco.com
www.fansco.com

Nominal data

Type	6058 ES	
Phase		1~
Nominal voltage	VAC	230
Frequency	Hz	50
Speed (rpm)	min ⁻¹	2800
Power consumption	W	24.0
Min. ambient temperature	°C	-25
Max. ambient temperature	°C	75
Air flow	m ³ /h	375
Sound power level	B	5.9
Sound pressure level	dB(A)	55

ml = Max. load · me = Max. efficiency · fa = Free air · cs = Customer specification · ce = Customer equipment
Subject to change

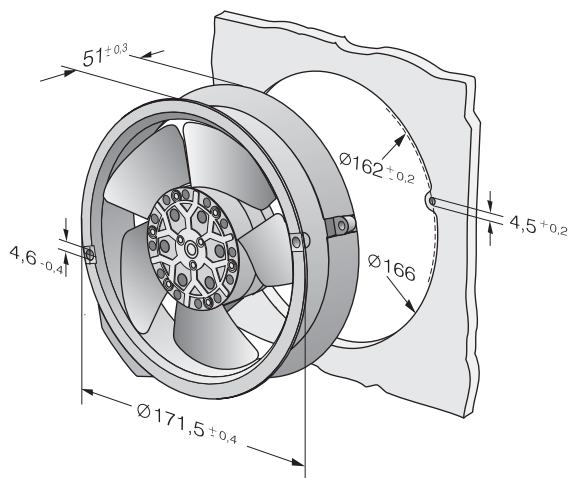


Technical description

Weight	1 kg
Dimensions	Ø 172 x 51 mm
Impeller material	Sheet steel, painted black
Housing material	Die-cast aluminum
Airflow direction	Exhaust over struts
Direction of rotation	Counterclockwise, viewed toward rotor
Storage	Ball bearing
Service life L10 at 40 °C	62000 h
Service life L10 at maximum temperature	31000 h
Cable	2 flat plugs 2.8 x 0.5 mm. Housing with grounding lug for M4 x 6.
Motor protection	Protected from overload by thermal switch
Approval	VDE, CSA, UL, CE



Product drawing



Curves: Air performance

