

4118 N/2P-215 DC Axial Fan

Axial fan for DC operation with an additional tacho output signal, and PWM speed control input. Driven by an electronically commutated external rotor motor. Electronic commutation system is completely integrated into the motor hub.



Features

- Electronically protected against reverse polarity, overloading and locking.
- Tacho output signal.
- Speed controllable by PWM input.

General Data

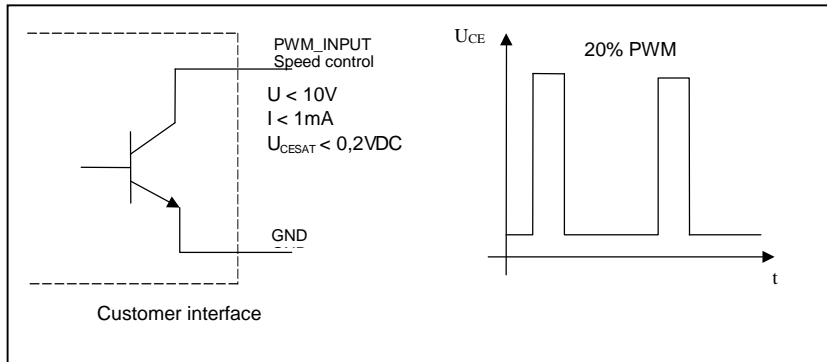
Nominal voltage	V DC	48
Voltage range	V DC	36 - 57
Nominal speed	rpm	3200
Max. flow rate	m ³ /h	166,7
Max. flow rate	CFM	98,05
Current consumption	mA	105
Power consumption	W	5,0
Permanent ambient temperature at max. voltage	°C	-33 ... +55
Service life (40 °C)	h	85.000
Approvals	UL, VDE, CSA, CCC	
Fan housing / impeller	Metal / PA 6.6	
Bearing system	Ball bearings	
Mass	g	390

All technical data are mean values at nominal conditions.

Subject to change.

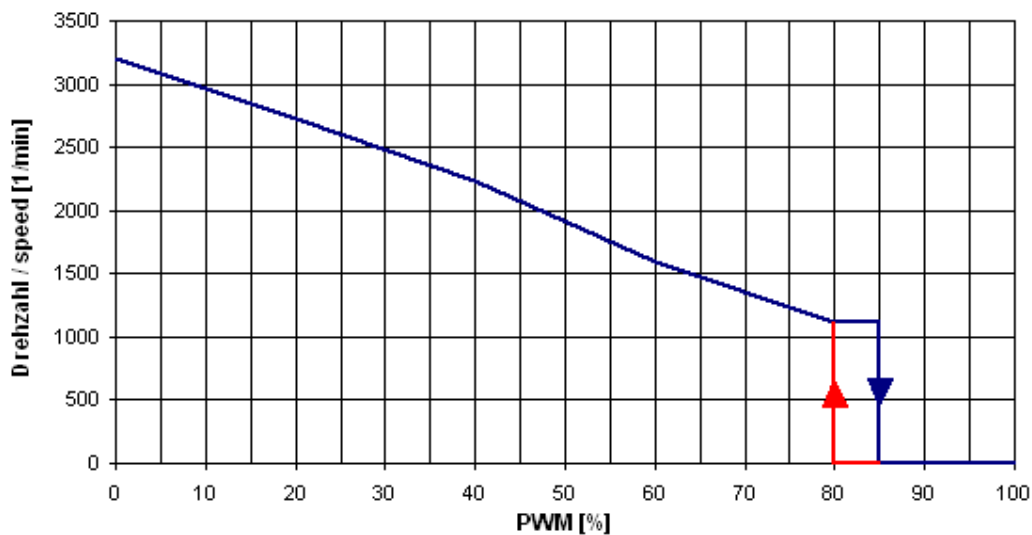
For details of electrical connection and dimensions, see separate drawing # 9694300215.

PWM input signal: open collector (f = 2-5 kHz)

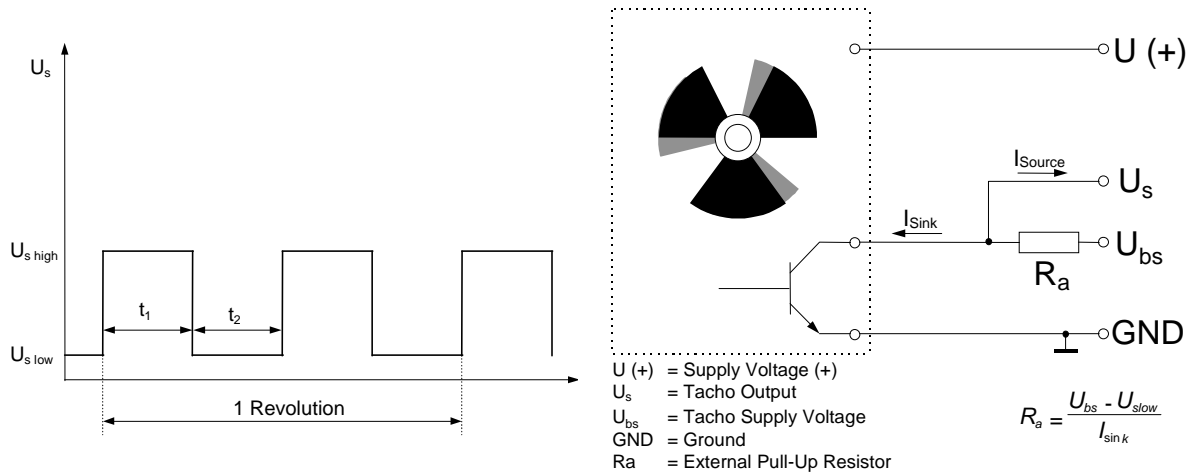


Speed-PWM

PWM [%]	Speed [rpm]
0	3,200
20	2,700
40	2,150
60	1,650
80	1,100
100	0



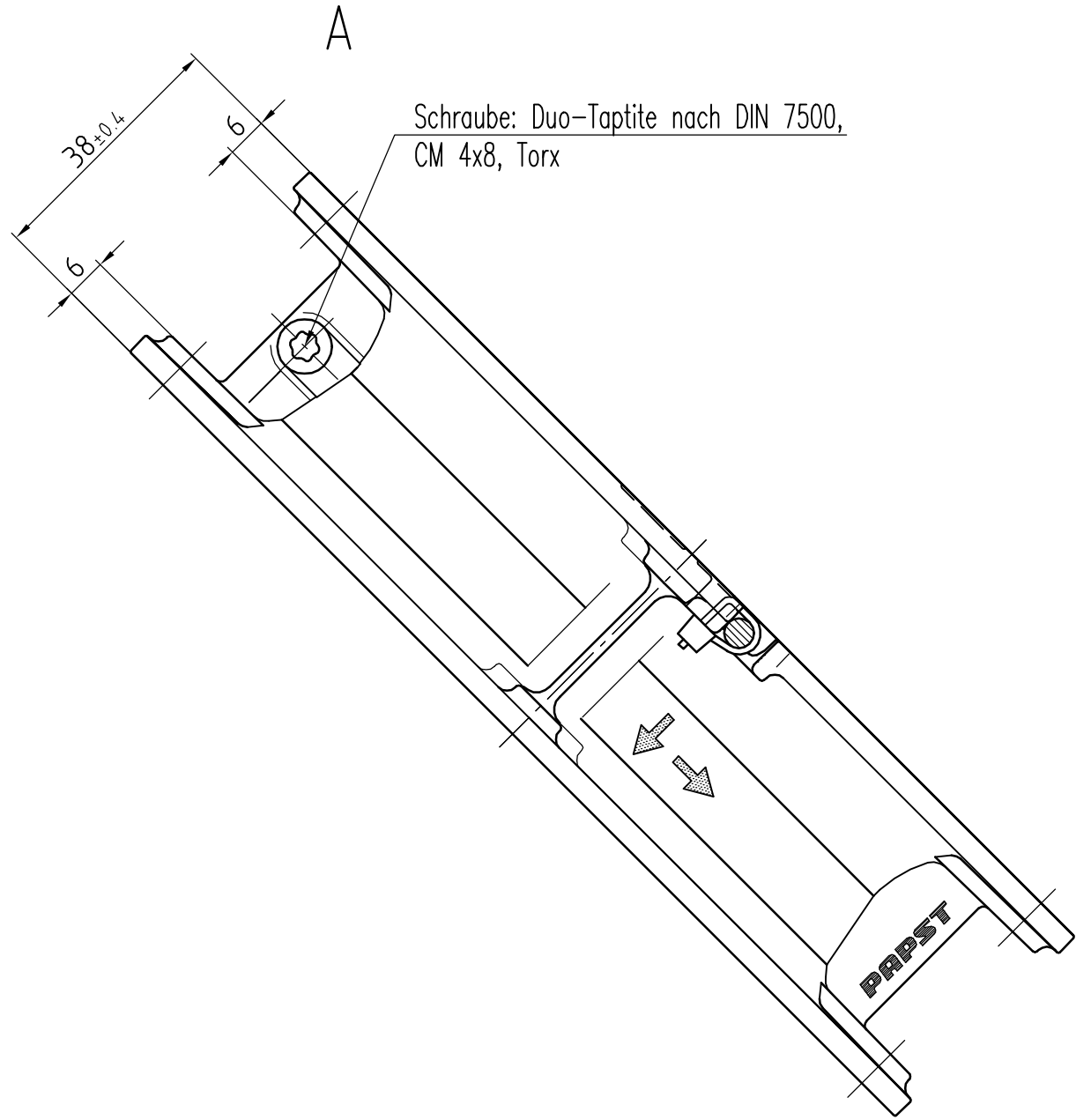
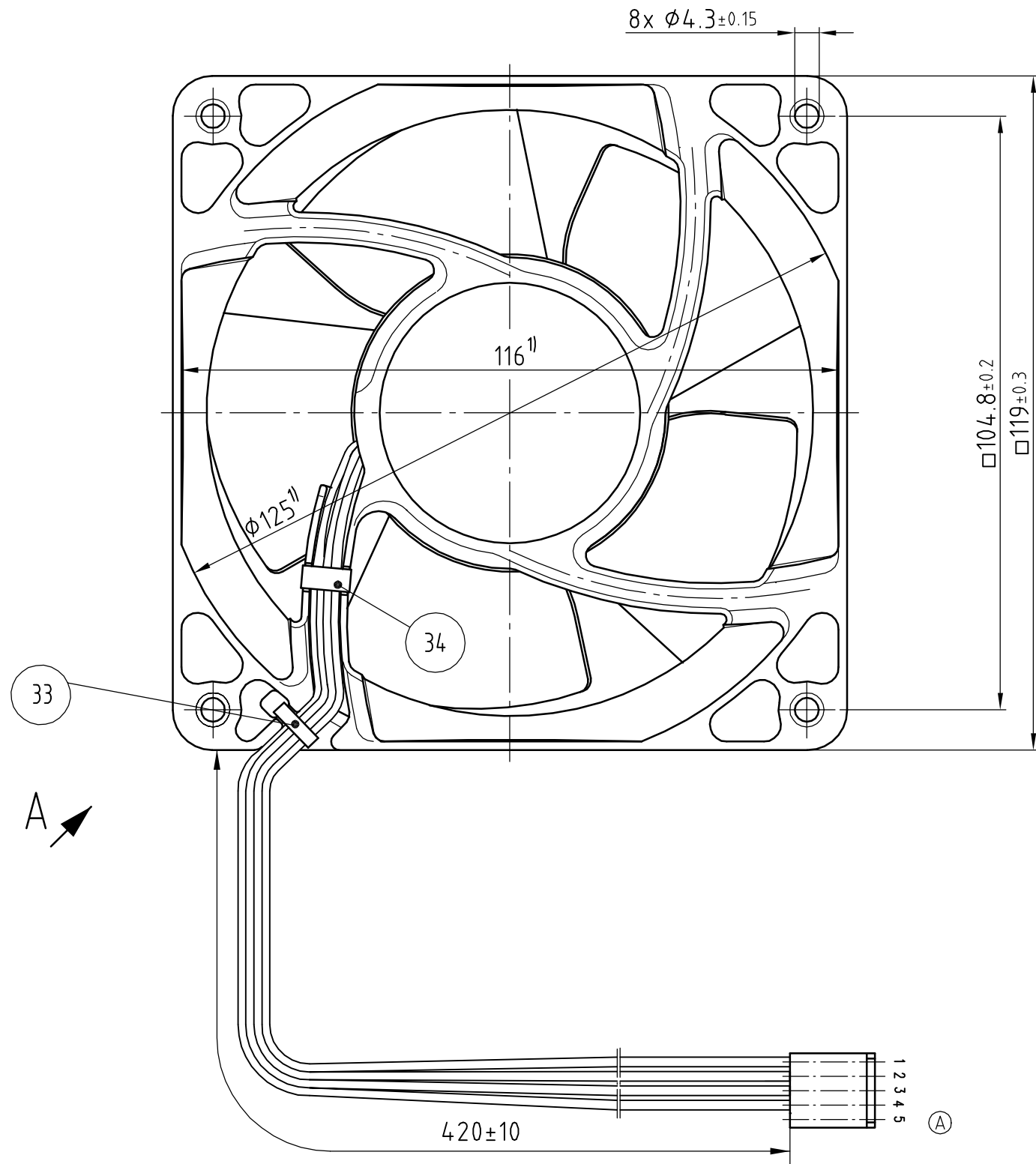
Tacho Output /2:



Output	2 pulses per revolution
U_{bs}	57 V DC
$U_{s\ high}$	57 V DC at $I_{source} = 0\ mA$
$U_{s\ low}$	$\leq 0,4\ V\ DC$ at $I_{sink} = 1\ mA$
$I_{sink\ max}$	$\leq 2\ mA$
t_1 / t_2	0,8 - 1,2

Copying of this document, and giving it to others and the use or communication of the contents thereof, are forbidden without express authority. Offenders are liable to the payment of damages. All rights are reserved in the event of the grant of a patent or the registration of a utility model or design.

Schutzvermerk nach DIN ISO 16016 beachten



- 1) = Maße für Montagewand
- Pos.33 nur wenn in Stückliste enthalten
- Axialspiel: Mit Feder spielfrei verspannt

Steckergehäuse
22-01-3057
Kontakt
08-55-0101
von Molex

Steckerbelegung:
1=+RD
2=-BU
3=PWM input : VT
4=RPM output : WH
5=frei

Tolerierung: DIN 7167		DIN ISO 2768-mK-E									
Allgemeintoleranzen:		Artikel									
AutoCAD 2002		Axiallüfter									
Maßstab 1:1		Zchg.-Nr. 9694300215									
Blatt 002		Ers.f.Zchg: A3									
<table border="1"> <tr> <th>Datum</th> <th>Name</th> </tr> <tr> <td>12.05.2006</td> <td>HAASA</td> </tr> <tr> <td>A</td> <td>000000109439</td> </tr> <tr> <td>Index</td> <td>Aend.-Nr.</td> </tr> </table>		Datum	Name	12.05.2006	HAASA	A	000000109439	Index	Aend.-Nr.		
Datum	Name										
12.05.2006	HAASA										
A	000000109439										
Index	Aend.-Nr.										
Geprüft u. zur Verwendung freigegeben von KOLETZKI am 19.05.2006		PAPST PAPST-MOTOREN GmbH & Co KG D-78112 St.Georgen Germany									