

Product Data Sheet

9694300348

VUC0119YUJBS

4114 N/2H4PU

ebmpapst

The engineer's choice

4114N/2H4PU (9694300348) ebmpapst Datasheet FansCo
sales@fansco.com
www.fansco.com



4114N/2H4PU (9694300348) ebmpapst Datasheet FansCo sales@fansco.com www.fansco.com



4114 N/2H4PU

INDEX

1 General 3

2 Mechanics 3

2.1 General..... 3

2.2 Connections..... 3

3 Operating Data 4

3.1 Electrical Interface - Input..... 4

3.2 Electrical Operating Data 5

3.3 Electrical Interface - Output..... 6

3.4 Electrical Features 7

3.5 Aerodynamics 9

3.6 Sound Data..... 10

4 Environment..... 10

4.1 General..... 10

4.2 Climatic Requirements 10

5 Safety..... 11

5.1 Electrical Safety 11

5.2 Approval Tests 11

6 Reliability..... 11

6.1 General..... 11

1 General

Fan type	Fan	
Rotating direction looking at rotor	Clockwise	
Airflow direction	Air intake over struts	
Bearing system	Stainless steel bearing	
Mounting position - shaft	Any	

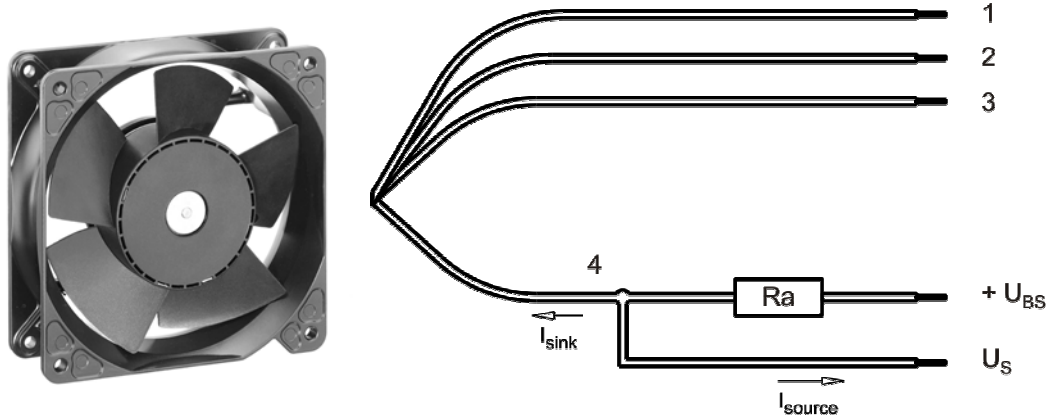
2 Mechanics

2.1 General

Width	119,0 mm	
Height	119,0 mm	
Depth	38,0 mm	
Mass	0,390 kg	
Housing material	Metal	
Impeller material	Plastic	

2.2 Connections

Electrical connection	Wires	
Lead wire length	L = 310 mm	
Tolerance	+ - 10,0 mm	



Wire	Color	Operation	Wire size	Insulation diameter
1	red	+ UB	AWG 22	1,7 mm
2	blue	- GND	AWG 22	1,7 mm
3	violet	PWM	AWG 22	1,7 mm
4	white	Tacho	AWG 22	1,7 mm

The auxiliaries shown on the schematic diagram (which are required for the intended use) are not part of our delivery.

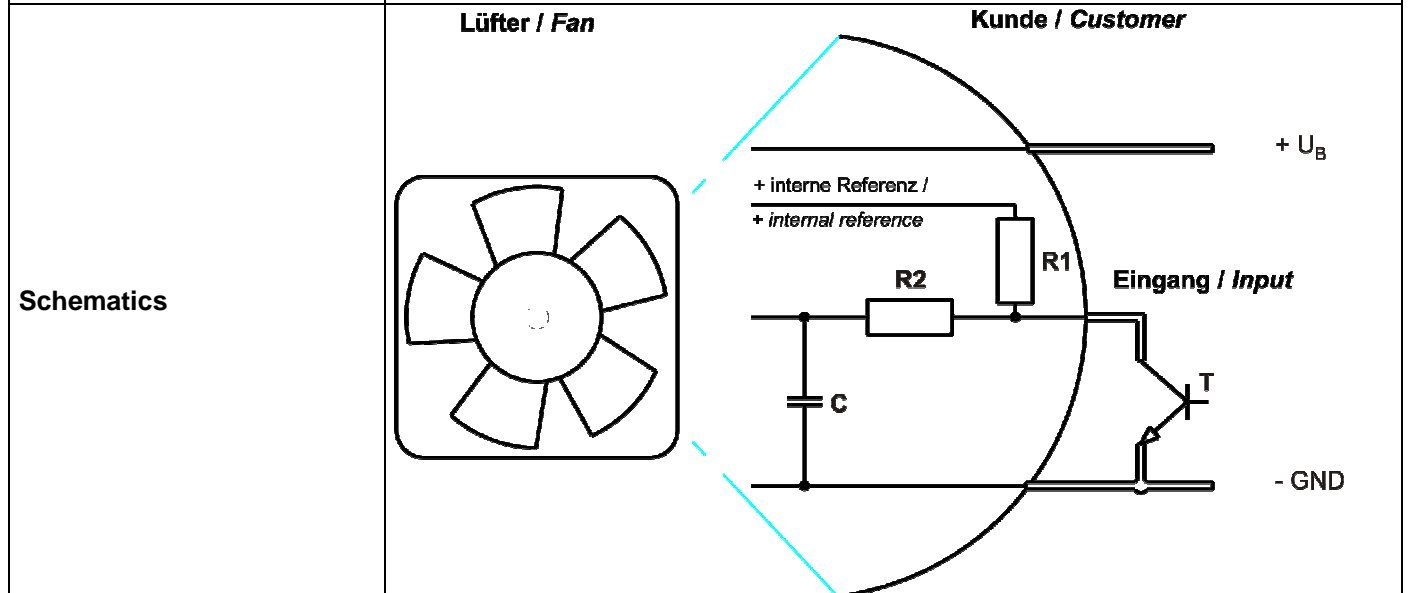
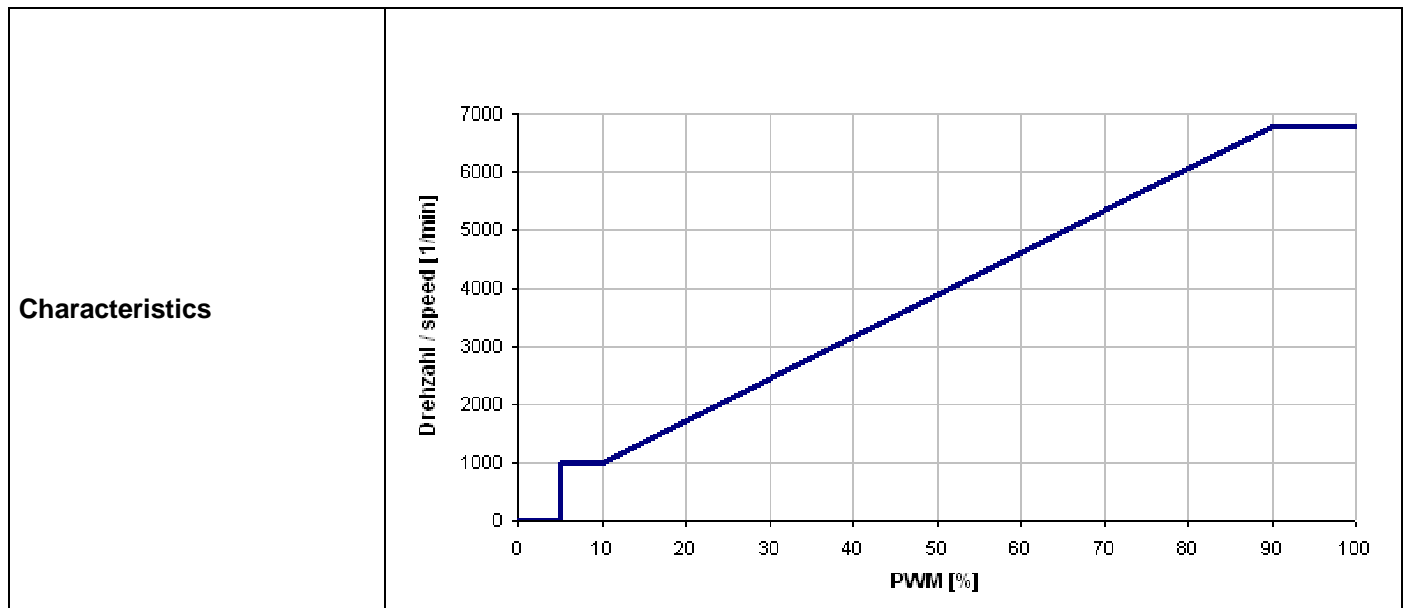
3 Operating Data

3.1 Electrical Interface - Input

Control input	PWM
---------------	-----

Features

PWM - Frequency	1 kHz - 20 kHz typical: 2 kHz
-----------------	----------------------------------



Speed control: By PWM: 0...100 %. The shown pull-up resistor to the internal reference voltage (+5V) has 4.7kOhm.

Transistor requirements: VCE max. >= 12V; Isink max > 5mA; VCEsat < 0,15V

3.2 Electrical Operating Data

Measurement conditions: Normal air density = 1,2 kg/m³; Temperature 23°C +/- 3°C; Motor axis horizontal; warm-up time before measuring 5 minutes (unless otherwise specified). In the intake and outlet area should not be any solid obstruction within 0,5 m.

$\Delta p = 0$: corresp. to free air flow (see chapter aerodynamics)
I: corresp. to arithm. mean current value

Name	Condition
PWM 0001	PWM: 95 %; f: 2 kHz

Note:

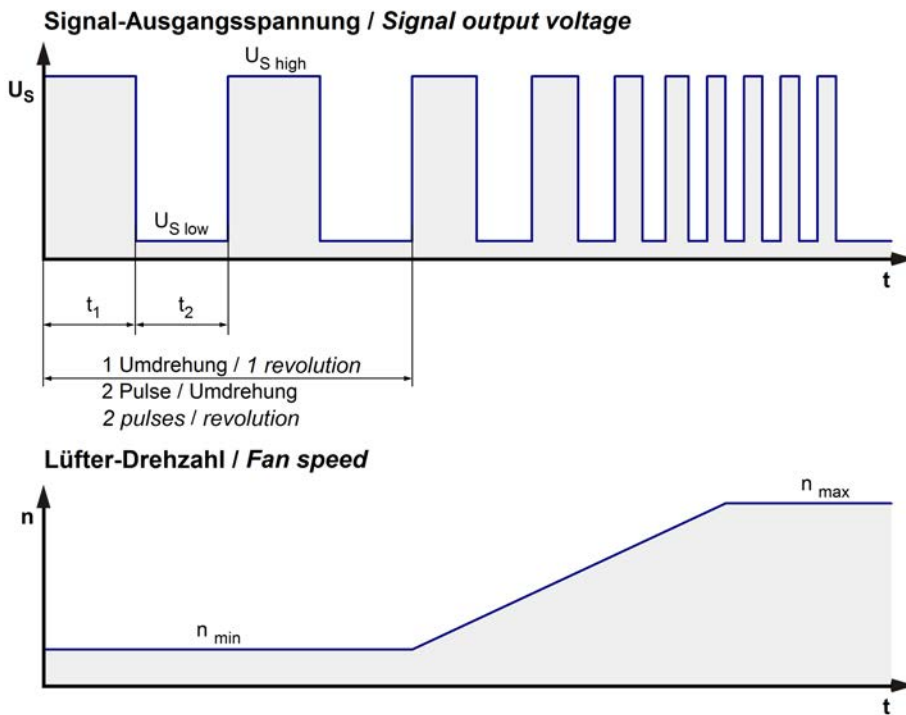
No inrush current at Unom means:

The internal electrolytic capacitor 39uF/100V has no resistor or inrush current limitation, essentially the power supply and the type and length of the connecting cable is limiting the Inrush current.

Features	Condition	Symbol	Values		
Voltage range		U	16 V		30 V
Nominal voltage		U _N		24 V	
Power consumption	$\Delta p = 0$	P	13,3 W	33,5 W	34,2 W
Tolerance	PWM 0010		+/- 15 %	+/- 10 %	+/- 10 %
Current consumption	$\Delta p = 0$	I	830 mA	1.400 mA	1.140 mA
Tolerance	PWM 0010		+/- 15 %	+/- 10 %	+/- 10 %
Speed	$\Delta p = 0$	n	5.100 1/min	6.800 1/min	6.800 1/min
Tolerance	PWM 0010		+/- 10 %	+/- 5 %	+/- 5 %
Starting current consumption				2.200 mA	

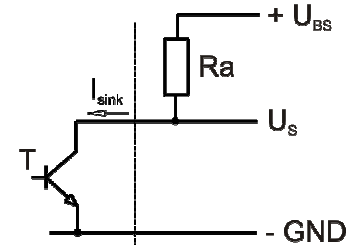
3.3 Electrical Interface - Output

Tacho type	/2 (open collector)
------------	---------------------



$$R_a = \frac{U_{BS} - U_{S\ low}}{I_{sink}}$$

Lüfter / Fan Kunde / Customer

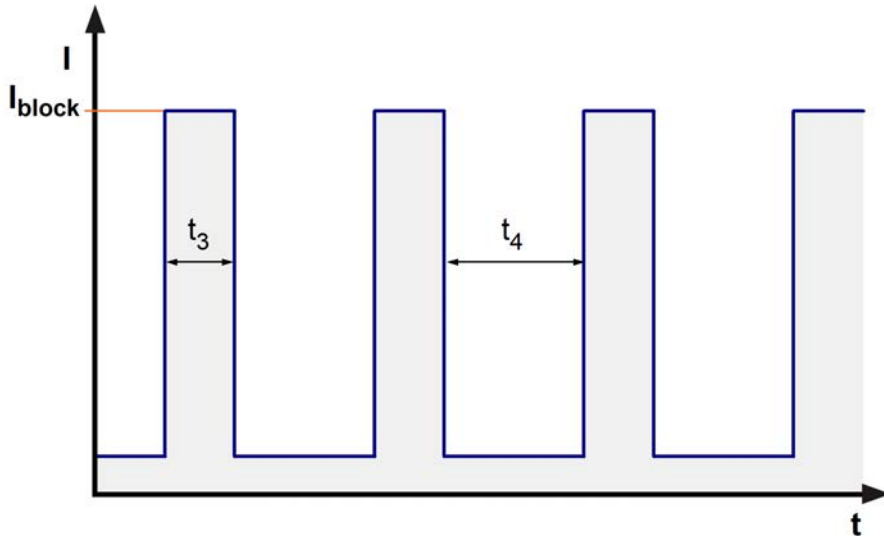


Features	Note	Values
Tacho operating voltage	U_{BS}	$\leq 30\ V$
Tacho signal Low	$U_{S\ low}$	$\leq 0,4\ V$
Tacho signal High	$U_{S\ high}$	$\leq 30\ V$
Maximum sink current	I_{sink}	$\leq 20\ mA$
External resistor	External resistor R_a from U_{BS} to U_s required. All voltages measured to GND.	
Tacho frequency	$(2 \times n) / 60$	
Tacho isolated from motor	No	
Slew rate		$\Rightarrow 0,5\ V/\mu s$

n = revolutions per minute (1/min)

3.4 Electrical Features

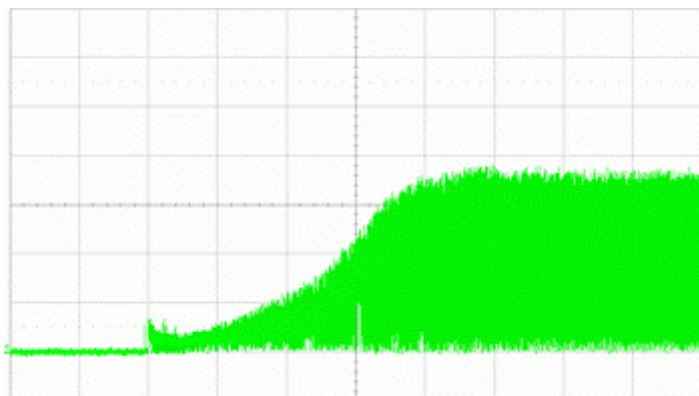
Electronic function	Speed-Controlled	
Reversed polarity protection	Rectifying diode	
Max. residual current at U_N	$I_F \leq 10 \text{ mA}$	
Locked rotor protection	Auto restart	
Locked rotor current at U_N	I_{block} approx. 800 mA	
Clock signal at locked rotor	t_3 / t_4 typical: 0,5 s / 5,0 s	



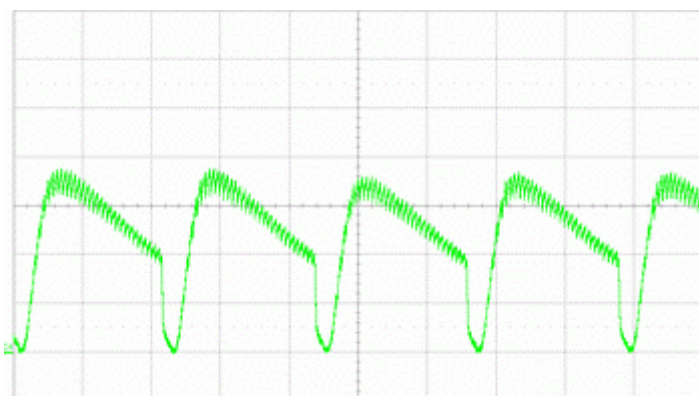
Locked rotor current measured as peak current.



Locked rotor current @ 24 V ($I = 200\text{mA}/\text{div}$; $t = 1\text{s}/\text{div}$)



Start-up current @ 24 V (I = 500mA/div ; t = 2s/div)



Running current @ 24 V (I = 500mA/div ; t = 1ms/div)

Internal Fuse:

Littelfuse NANO2(R) FUSE; Very fast acting 451 Series; 3 A (Art.-No.: 451003.MRL)

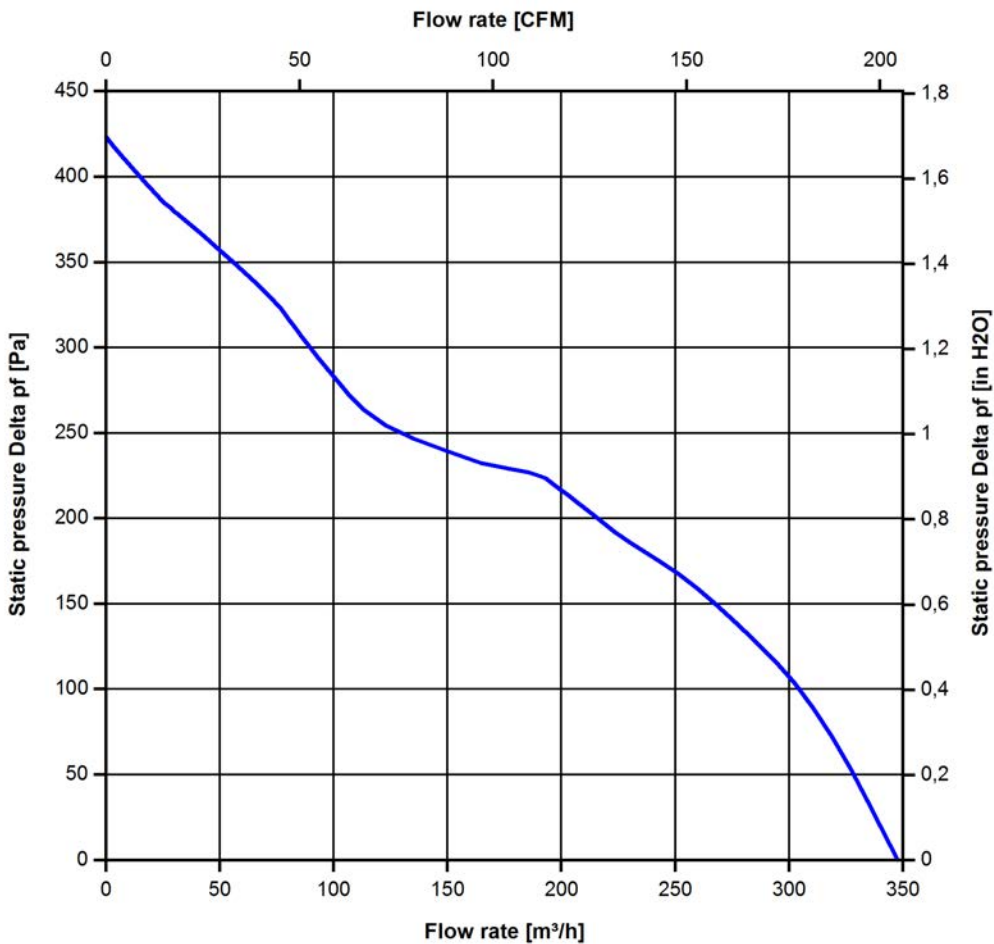
3.5 Aerodynamics

Measurement conditions: Measured with a double chamber intake rig acc. to DIN EN ISO 5801.
 Normal air density = 1,2 kg/m³; Temperature 23°C +/- 3°C;
 In the intake and outlet area should not be any solid obstruction within 0,5 m. Motor shaft horizontal.
 The information is only valid under the specified test conditions and may be changed by the installation conditions. If there are deviations from the standard test conditions, the characteristic values must be checked under the installed conditions.

a.) Operation condition:

6.800 1/min at free air flow	PWM 95 %; f: 2 kHz		
------------------------------	--------------------	--	--

Max. free-air flow ($\Delta p = 0 / \dot{V} = \text{max.}$)	350 m ³ /h	
Max. static pressure ($\Delta p = \text{max.} / \dot{V} = 0$)	425 Pa	



3.6 Sound Data

Measurement conditions: Sound pressure level: 1 meter distance between microphone and the air intake.

Measured in a semianchoic chamber with a background noise level of $L_p(A) < 5 \text{ dB(A)}$
For further measurement conditions see chapter aerodynamics.

a.) Operation condition:

6.800 1/min at free air flow	PWM 95 %; f: 2 kHz		
------------------------------	--------------------	--	--

4 Environment

4.1 General

Min. permitted ambient temperature TU min.	-20 °C	
Max. permitted ambient temperature TU max.	65 °C	
Min. permitted storage temperature TL min.	-40 °C	
Max. permitted storage temperature TL max.	80 °C	

4.2 Climatic Requirements

IP-protection type (certified)	IP 68 (for fan only, not for connector if applicable) **)	
Humidity requirements	humid temperature, cyclic; according to DIN EN 60068-2-38, 10 cycle and condensation water check; according to DIN EN ISO 6270-2, 14 days	
Salt fog requirements	None	

Permitted application area:

The product is for the use in partial sheltered rooms or open, roofed areas. Direct exposure to water is allowed provided that this does not prevent the normal operation. Saline ambient conditions must be avoided.

Pollution degree 3 (according DIN EN 60664-1)

It occurs conductive pollution or dry non-conductive pollution which becomes conductive due to condensation.

**) The specification of the IP protection refers to the conditions mentioned in certification of the fan. The above mentioned short description of the protection scope is not final. For detailed information of the respective protection scope and definitions, see certification as well as DIN EN 60529 (protection by housings) and ISO 20653 (for vehicles) with the letter K.

Short description of the IP-protection type:

Solid particle Protection: Dust tight.

Protection against deliberate contact: Protected against contact to hazardous parts with a wire.

Protection against water: The fan test according to IP68 (Based on IEC 60529), is conducted in non-operating mode. The fan is tested by a complete immersion in water for a period of 2h at a water-level of 1,2m. Electrical connections are not immersed since they are customer specific.

Please require severity levels and specification parameters from the responsible development departments.

5 Safety

5.1 Electrical Safety

Dielectric strength DIN EN 60950 (VDE 0805) and DIN EN 60335 (VDE 0700) A.) Type test Measuring conditions: After 48h of storage at 95% R.H. and 25°C. No arcing or breakdown is allowed! All connections together to ground.	500 VAC / 1 Min.	
B.) Routine test Measuring conditions: At indoor climate. No arcing or breakdown is allowed! All connections together to ground.	850 VDC / 1 Sec.	
Isolation resistance Measuring conditions: After 48h of storage at 95% R.H. and 25°C measured with U=500 VDC for 1 min.	RI > 10 MOhm	
Clearance / creepage distance	1,0 mm / 1,2 mm	
Protection class	III	

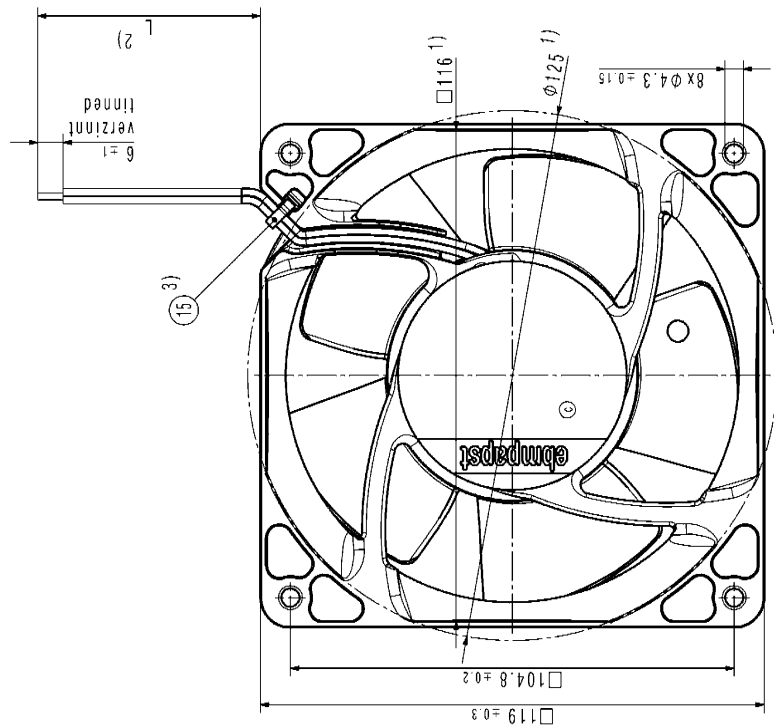
5.2 Approval Tests

CE	EC Declaration of Conformity	Yes
EAC	Eurasian Conformity	Yes
UL	Underwriters Laboratories	Yes / UL507, Electric Fans E38324
VDE	Association for Electrical, Electronic and Information Technologies	Yes / Approval acc. to EN 60950 (VDE 0805) - Information technology equipment
CSA	Canadian Standards Association	Yes / C22.2 No. 113 Fans and Ventilators
CCC	China Compulsory Certification	Not applicable

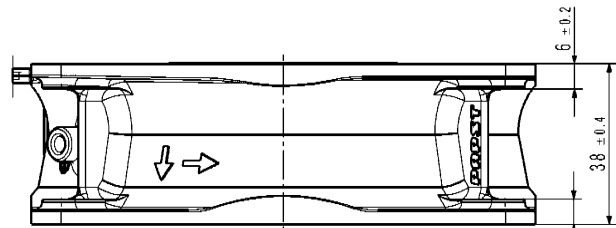
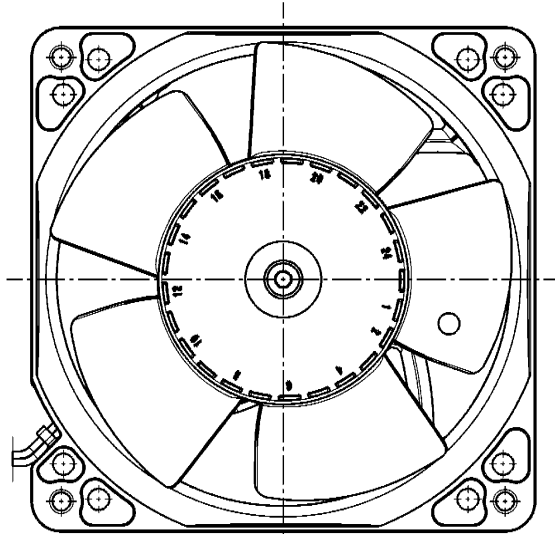
6 Reliability

6.1 General

Life expectancy L10 at TU = 40 °C	62.500 h	
Life expectancy L10 at TU max.	35.000 h	
Life expectancy L10 acc. to IPC 9591 at TU = 40 °C	105.000 h	



- 1) Maße für Montageausschnitt
 2) Anzahl und Länge der Litzen siehe Produktspezifikation.
 3) nur wenn in Stückliste enthalten
 - Axialspiel der Kugellager mit Feder spielfrei verspannt.
- 1) Measures for mounting cut-out.
 2) Length and number of wires see product specification.
 3) Only if enclosed in the bill of material.
 - Ball bearing without axial clearance by a pre-loaded spring.



Copyright of this document, and giving it others and the use or communication of the contents thereof, are prohibited without express and written consent of the manufacturer or the registration of a utility model or design.

Spezialwerk nach DIN ISO 9015 ISO 9018 ISO 9019
 Refer to precision holes DIN ISO 9015

AP-Status/State	Assoz. Nr. / change No.	CAD-System-Version / CAD-System-Version	Minivert. / Material:	Volumen / Masse (m³/g)
		98420285 SPINDR		
Tolerierung / Tolerances	ID-Referenzliste / ID-Referenzliste	Datum	AP-Datum / Titel:	
		Name		
Abgemessen / gem. / Measured:			Zug. Nr. / Part No. / Part No.	
			Ers. / Zeich. / Revision:	
			Teilenummer / Part No. / Part No.	
			Formel / Size: MASSSTAB/Scale	
© 2009 ebmpapst GmbH & Co. KG				