

**Product Data Sheet**    **9295420201**  
VWS0184XULDS  
2218 F/2TDHHO

**ebmpapst**

The engineer's choice

2218F/2TDHHO (9295420201) ebmpapst Datasheet  
[sales@fansco.com](mailto:sales@fansco.com)  
[www.fansco.com](http://www.fansco.com)



2218 F/2TDHHO

INDEX

**1 General ..... 3**

**2 Mechanics ..... 3**

2.1 General..... 3

2.2 Connections..... 3

**3 Operating Data ..... 5**

3.1 Electrical Interface - Input..... 5

3.2 Electrical Operating Data ..... 7

3.3 Electrical Interface - Output..... 8

3.4 Electrical Features ..... 9

3.5 Aerodynamics ..... 10

3.6 Sound Data..... 11

**4 Environment..... 11**

4.1 General..... 11

4.2 Climatic Requirements ..... 11

**5 Safety..... 12**

5.1 Electrical Safety ..... 12

5.2 Approval Tests ..... 12

**6 Reliability..... 12**

6.1 General..... 12

**1 General**

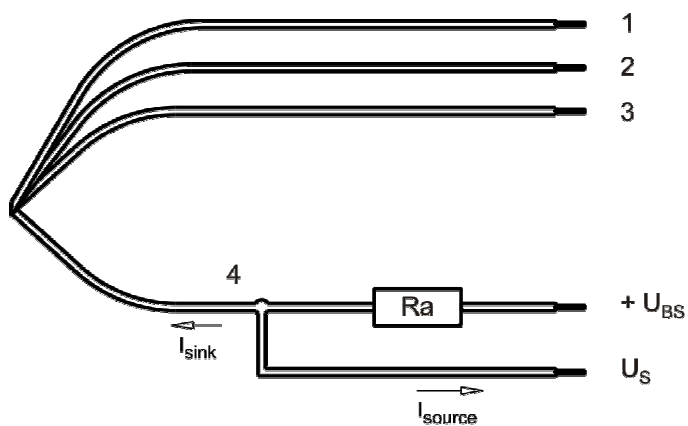
Fan type	Fan	
Rotating direction looking at rotor	Counterclockwise	
Airflow direction	Air outlet over struts	
Bearing system	Ball bearing	
Mounting position - shaft	Any	

**2 Mechanics****2.1 General**

Width	200 mm	
Height	200 mm	
Depth	51,0 mm	
Diameter	220 mm	
Mass	1,06 kg	
Housing material	Metal	
Impeller material	Plastic	

**2.2 Connections**

Electrical connection	Wires	
Lead wire length	L = 400 mm	
Tolerance	+ - 10 mm	
Tube length	S = 10 mm	
Tolerance	+ - 2,0 mm	



Wire	Color	Operation	Wire size	Insulation diameter
1	red	+ UB	AWG 20	2,05 mm
2	blue	- GND	AWG 20	2,05 mm
3	violet	CONTR	AWG 22	1,3 mm
4	white	Tacho	AWG 22	1,3 mm

The auxiliaries shown on the schematic diagram (which are required for the intended use) are not part of our delivery.

Lead wire 1 - 2: AWG20 (Insulation diameter 2,05 mm)

Lead wire 3 - 4: AWG22 (Insulation diameter 1,30 mm)

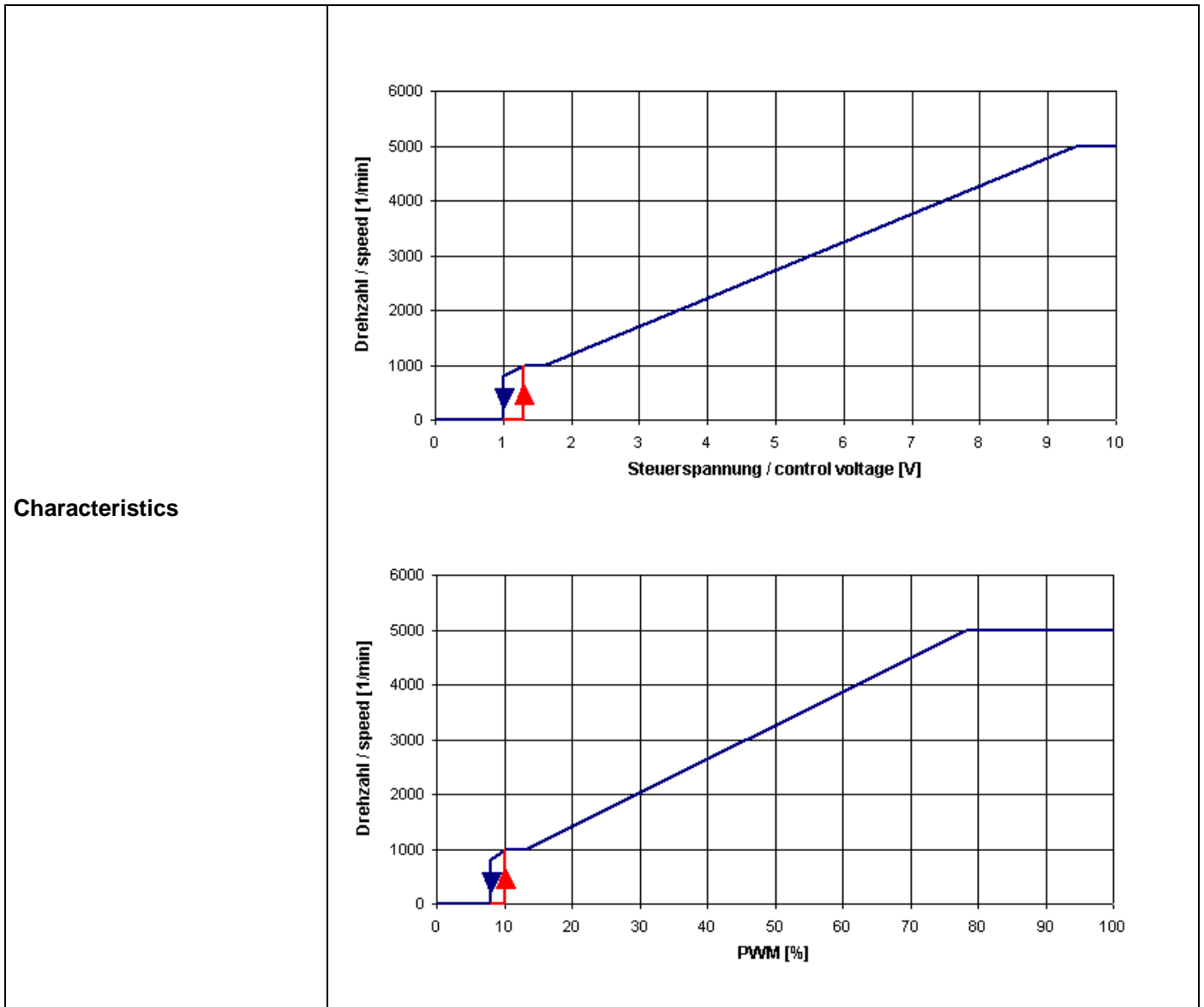
3 Operating Data

3.1 Electrical Interface - Input

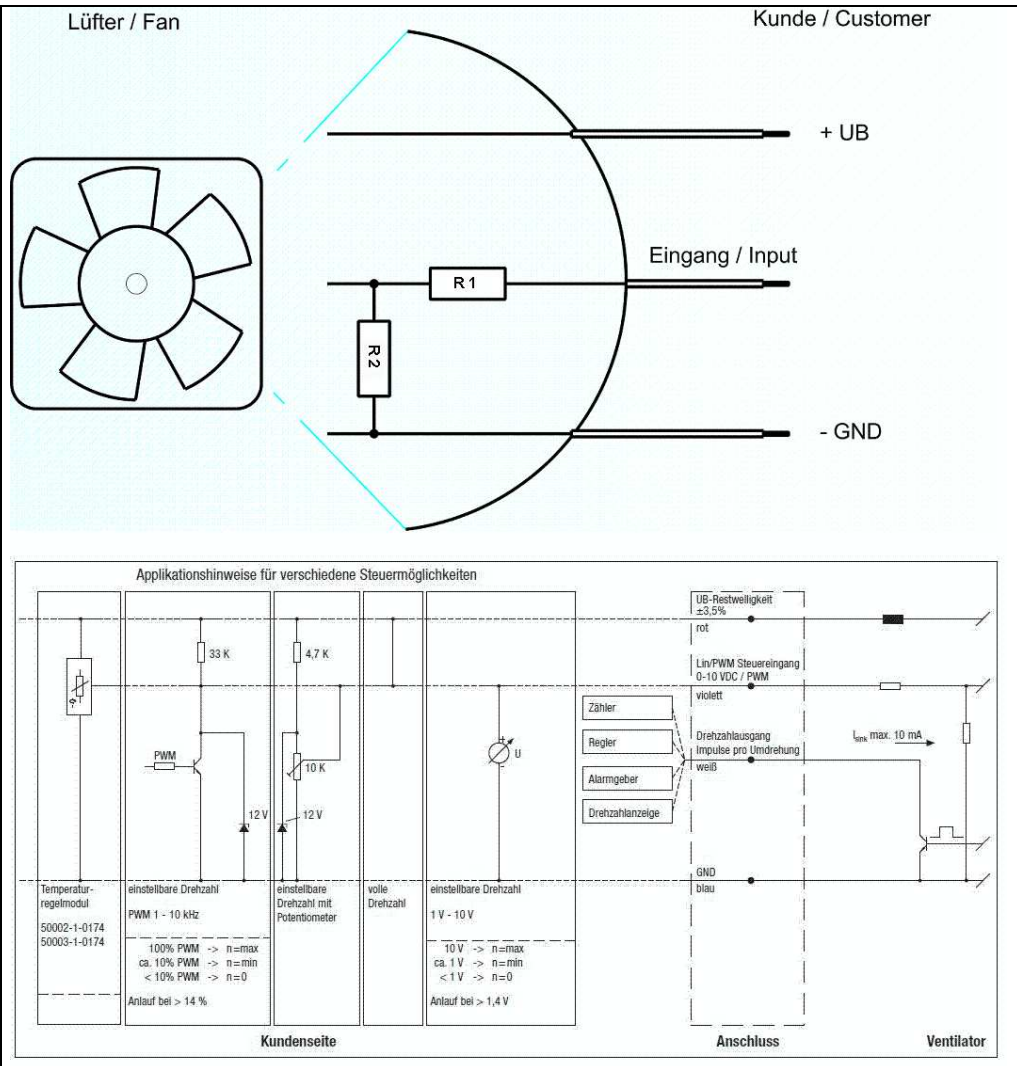
Control input	Analog
---------------	--------

Features

PWM - Frequency	1 kHz - 10 kHz typical: 2 kHz
Input voltage range	0 V - 10 V



Schematics



**Input voltage divider:**

R1 = 47 kOhm

R2 = 36 kOhm

For protection: There is parallel to R2 a 5,1 V Z-Diode

**Speed control:**

By pulse-width modulation (PWM) 0 ... 100%  
with switching transistor in emitter circuit and collector resistance to 12 V  
Frequency = 2 kHz (1 - 10 kHz)

**Information to the curve PWM:**

- 0% - <10% PWM: 0 1/min
- 10% PWM: 1.000 1/min (Fan on, coming from 0% PWM)
- 10% - 13% PWM: 1.000 1/min (corresponding to min. speed)
- 13% - 78% PWM: linear increasing curve
- 78% - 100% PWM: 5.000 1/min (corresponding to max. speed)
- 10% - >8% PWM: linear decreasing curve (coming from 100% PWM)
- 8% PWM: 800 1/min or 0 1/min (Fan off, coming from 100% PWM)

or:

**Speed control:**

By analog voltage 0 - 10 V

**Information to the curve analog:**

0 V - < 1,3 V:	0 1/min
1,3 V:	1.000 1/min (Fan on, comming from von 0 V)
1,3 V - 1,6 V:	1.000 1/min (corresponding to min. speed)
1,6 V - 9,4 V:	linear increasing curve
9,4 V - 10 V:	5.000 1/min (corresponding to max. speed)
1,3 V - > 1,0 V:	linear decreasing curve (comming from 10 V)
1,0 V:	800 1/min or 0 1/min (Fan off, comming from 10 V)

**Note:**

It must be ensured that the power supply is applied before the control signal (U Contr) is turned on.

### 3.2 Electrical Operating Data

Measurement conditions: Normal air density = 1,2 kg/m<sup>3</sup>; Temperature 23°C +/- 3°C; Motor axis horizontal; warm-up time before measuring 5 minutes (unless otherwise specified). In the intake and outlet area should not be any solid obstruction within 0,5 m.

$\Delta p = 0$ : corresp. to free air flow (see chapter aerodynamics)  
I: corresp. to arithm. mean current value

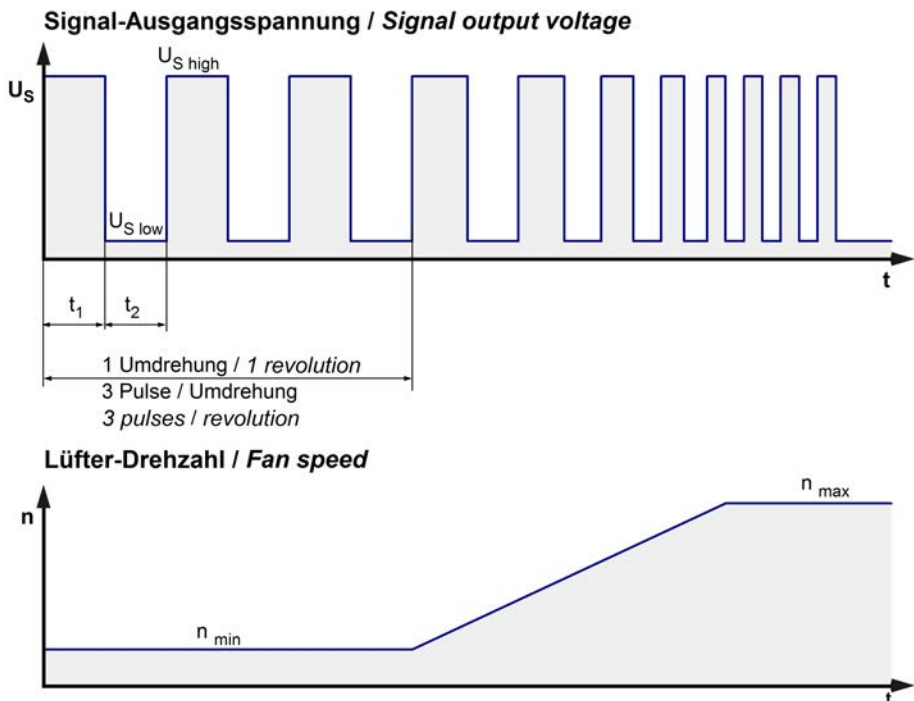
Name	Condition
U Contr. 0001	U Contr.: 10 V

**No sensor break detection. Speed is 0 1/min with open control input.**

Features	Condition	Symbol	Values		
Voltage range		U	36 V		72 V
Nominal voltage		$U_N$		48 V	
Power consumption	$\Delta p = 0$	P	43 W	48 W	52 W
Tolerance	U Contr. 0010		+/- 12 %	+/- 12 %	+/- 12 %
Current consumption	$\Delta p = 0$	I	1.200 mA	1.040 mA	720 mA
Tolerance	U Contr. 0010		+/- 12 %	+/- 12 %	+/- 12 %
Speed	$\Delta p = 0$	n	4.800 1/min	5.000 1/min	5.000 1/min
Tolerance	U Contr. 0010		+/- 5 %	+/- 3 %	+/- 3 %

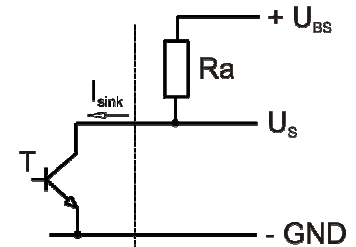
3.3 Electrical Interface - Output

Tacho type	/2 (open collector)
------------	---------------------



$$R_a = \frac{U_{BS} - U_{S\ low}}{I_{sink}}$$

Lüfter / Fan      Kunde / Customer

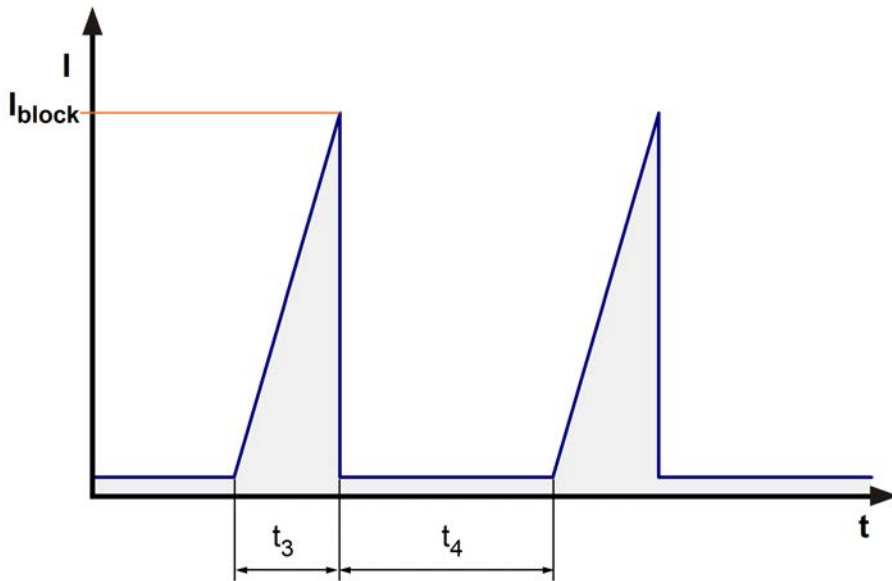


Features	Note	Values
Tacho operating voltage	$U_{BS}$	$\leq 60\ V$
Tacho signal Low	$U_{S\ low}$	$\leq 0,4\ V$
Tacho signal High	$U_{S\ high}$	$\leq 60\ V$
Maximum sink current	$I_{sink}$	$\leq 20\ mA$
External resistor	External resistor $R_a$ from $U_{BS}$ to $U_s$ required. All voltages measured to GND.	
Tacho frequency	$(3 \times n) / 60$	
Tacho isolated from motor	No	
Slew rate		$\Rightarrow 0,5\ V/\mu s$

n = revolutions per minute (1/min)

3.4 Electrical Features

Electronic function	Speed-Controlled	
Reversed polarity protection	P-CH FET	
Max. residual current at $U_N$	$I_F < 5 \text{ mA}$	
Locked rotor protection	Auto restart	
Locked rotor current at $U_N$	$I_{\text{block}}$ approx. 1.500 mA	
Clock signal at locked rotor	$t_3 / t_4$ typical: 3,0 s / 10,0 s	

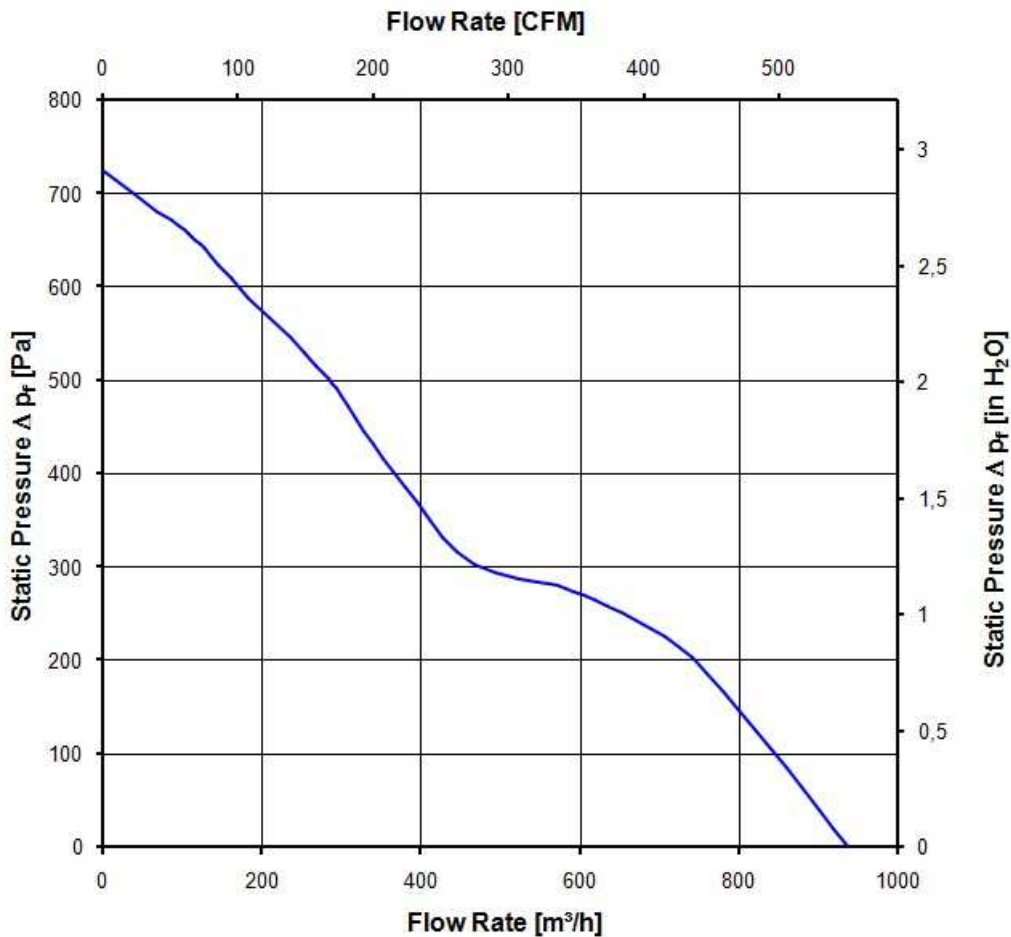


### 3.5 Aerodynamics

Measurement conditions: Measured with a double chamber intake rig acc. to DIN EN ISO 5801. Normal air density = 1,2 kg/m<sup>3</sup>; Temperature 23°C +/- 3°C; In the intake and outlet area should not be any solid obstruction within 0,5 m. Motor shaft horizontal. The information is only valid under the specified test conditions and may be changed by the installation conditions. If there are deviations from the standard test conditions, the characteristic values must be checked under the installed conditions. Power consumption of the fan motor when operating at normal voltage is shown. Depending on the operating conditions of the application, the power input may be higher.

a.) Operation condition:

5.000 1/min at free air flow	U Contr. 10 V		
Max. free-air flow ( $\Delta p = 0 / \dot{V} = \text{max.}$ )		940 m <sup>3</sup> /h	
Max. static pressure ( $\Delta p = \text{max.} / \dot{V} = 0$ )		725 Pa	



### 3.6 Sound Data

Measurement conditions: Sound pressure level: 1 meter distance between microphone and the air intake.  
Sound power level: Acc. to DIN 45635 part 38 (ISO 10302)  
Measured in a semianchoic chamber with a background noise level of  $L_p(A) < 5 \text{ dB}(A)$   
For further measurement conditions see chapter aerodynamics.

a.) Operation condition:

5.000 1/min at free air flow	U Contr. 10 V		
------------------------------	---------------	--	--

Optimal operating point	910 m <sup>3</sup> /h @ 30 Pa		
Sound power level at the optimal operating point	7,5 bel(A)		
Sound pressure level at free air flow, measured in rubber bands	67,0 dB(A)		

## 4 Environment

### 4.1 General

Min. permitted ambient temperature TU min.	-20 °C		
Max. permitted ambient temperature TU max.	70 °C		
Min. permitted storage temperature TL min.	-40 °C		
Max. permitted storage temperature TL max.	80 °C		

### 4.2 Climatic Requirements

Humidity requirements	humid heat, constant; according to DIN EN 60068-2-78, 14 days		
Water exposure	None		
Dust requirements	None		
Salt fog requirements	None		

Permitted application area:

The product is intended for use in sheltered rooms with controlled temperature and controlled humidity. Directly exposure to water must be avoided.

Pollution degree 1 (according DIN EN 60664-1)

There is either no pollution or it occurs only dry, non-conductive pollution. The pollution has no negative impact.

Please require severity levels and specification parameters from the responsible development departments.

## 5 Safety

### 5.1 Electrical Safety

Dielectric strength DIN EN 60950 (VDE 0805) and DIN EN 60335 (VDE 0700) A.) Type test Measuring conditions: After 48h of storage at 95% R.H. and 25°C. No arcing or breakdown is allowed! All connections together to ground.	1000 VAC / 1 Min.	
B.) Routine test Measuring conditions: At indoor climate. No arcing or breakdown is allowed! All connections together to ground.	1700 VDC / 1 Sec.	
Isolation resistance Measuring conditions: After 48h of storage at 95% R.H. and 25°C measured with U=500 VDC for 1 min.	RI > 10 MOhm	
Clearance / creepage distance	1,0 mm / 1,5 mm	
Protection class	I	

### 5.2 Approval Tests

CE	EC Declaration of Conformity	Yes
EAC	Eurasian Conformity	Yes
UL	Underwriters Laboratories	Yes / UL507, Electric Fans E38324
VDE	Association for Electrical, Electronic and Information Technologies	Yes / Approval acc. to EN 60950 (VDE 0805) - Information technology equipment
CSA	Canadian Standards Association	Yes / C22.2 No. 113 Fans and Ventilators
CCC	China Compulsory Certification	Yes / GB 12350 Safety Requirements for small Power Motors

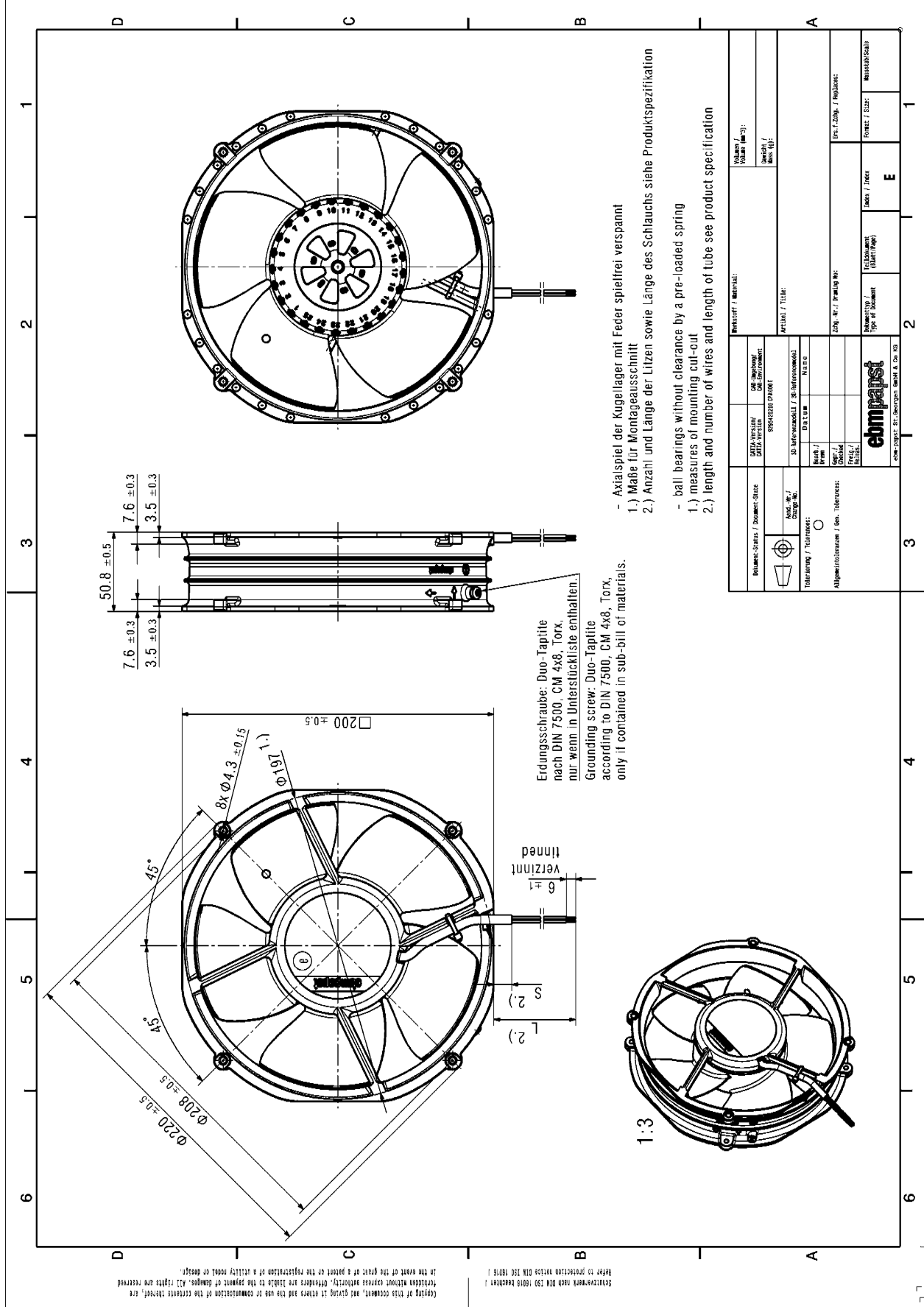
## 6 Reliability

### 6.1 General

Life expectancy L10 at TU = 40 °C	85.000 h	
Life expectancy L10 at TU max.	42.500 h	
Life expectancy L10 acc. to IPC 9591 at TU = 40 °C	142.500 h	

Copying of this document, and giving it others and the use or communication of the contents thereof, are forbidden without express written consent of ebmpapst. Orders are liable to the payment of damages. All rights are reserved in the event of the grant of a patent or the registration of a utility model or design.

Spaltenwerk nach DIN ISO 8453 (Bachteil 1)  
Refer to production notes DIN ISO 8453 (1)



Erdungsschraube: Duo-Tapite nach DIN 7500, CM 4x8, Torx, nur wenn in Unterstückliste enthalten.  
Grounding screw: Duo-Tapite according to DIN 7500, CM 4x8, Torx, only if contained in sub-bill of materials.

- Axialspiel der Kugellager mit Feder spielfrei verspannt
- ball bearings without clearance by a pre-loaded spring
- 1.) Maße für Montageausschnitt
- 1.) measures of mounting cut-out
- 2.) Anzahl und Länge der Litzen sowie Länge des Schlauchs siehe Produktspezifikation
- 2.) length and number of wires and length of tube see product specification

Dokument Status / Document State CAD / Version / DATE / Version / CAD / Environment 89954201 010000		Hersteller / Material ebmpapst	
Art / Nr. / Change No. 89954201 010000		Artikel / Title 2218F/2TDHHO	
ID, Referenzmodell / ID, Reference Model 89954201 010000		Zeich. Nr. / Drawing No. 2218F/2TDHHO	
Name / Name 2218F/2TDHHO		Ers. / Zeich. / Replace: 2218F/2TDHHO	
Toleranz / Tolerance 0		Form / Size 2218F/2TDHHO	
Allgemeine Anmerkung / Gen. Information 0		Dokument (Sheet/Page) 1 von 1 / 1 of 1	
0		Form / Size 2218F/2TDHHO	
0		Form / Size 2218F/2TDHHO	