

2218 F/2TDH4P-214/A01 ebmpapst Datasheet FansCo
sales@fansco.com
www.fansco.com

Nominal data

Type	2218 F/2TDH4P-214/A01	
Nominal voltage	VDC	48
Nominal voltage range	VDC	36 .. 72
Speed (rpm)	min ⁻¹	6500
Power consumption	W	103
Min. ambient temperature	°C	-20
Max. ambient temperature	°C	65
Air flow	m ³ /h	1220
Sound power level	B	8.2
Sound pressure level	dB(A)	72

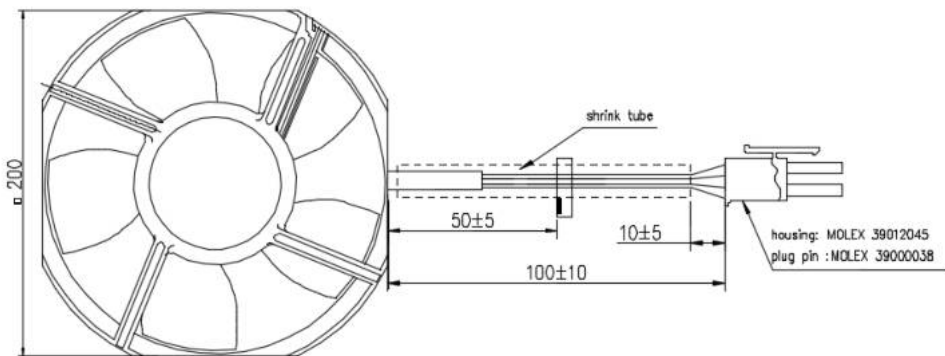
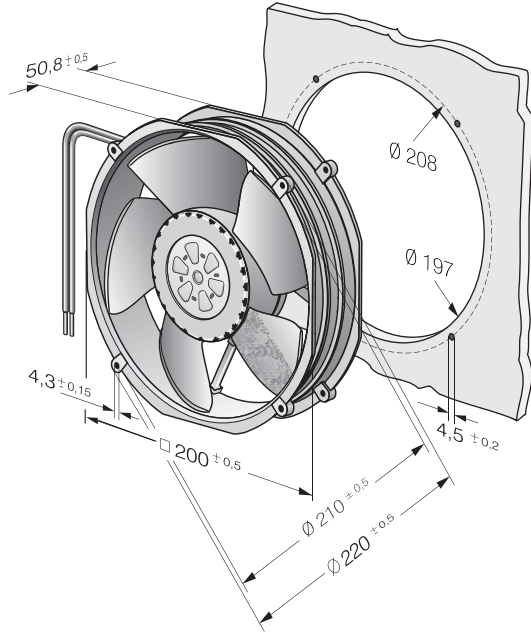
ml = Max. load · me = Max. efficiency · fa = Free air · cs = Customer specification · ce = Customer equipment
Subject to change



Technical description

General description	3-phase fan drive with very smooth operation and high efficiency Housing with grounding lug for M4 x 8 screw (Torx) * Power consumption when wide open; these values may be considerably higher at the operating point.
Impeller material	Glass-fiber reinforced PA plastic
Weight	1.0 kg
Dimensions	220 x 200 x 51 mm
Housing material	Die-cast aluminum
Airflow direction	Exhaust over struts
Direction of rotation	Counterclockwise, viewed toward rotor
Storage	Ball bearing
Service life L10 at 40 °C	70000 h
Service life L10 at maximum temperature	40000 h
Cable	Connector: Molex 39000038 Connector Housing: Molex 39012045

Product drawing



Curves

